

**Owner's Manual  
And  
Assembly Instructions**



The Cascade

**Model: 1-AP019-06**

INS-CASCADE-06  
Rev. 01/24/06



## **STOP...PLEASE READ!!**

**IF YOU HAVE ANY QUESTIONS OR ARE MISSING A PART, PLEASE DO NOT CONTACT THE RETAILER THAT YOU PURCHASED THIS PRODUCT FROM.**

**PLEASE CALL US DIRECTLY AT THE FACTORY, 1-800-856-4445, OUR TRAINED STAFF WILL ANSWER YOUR QUESTIONS AND OR EXPEDITE PARTS THAT YOU MAY NEED.**



# Adventure Playsets

Amarillo Texas 79119

Thank you for purchasing an Adventure Playsets Playcenter. We hope it will bring you and your children many years of safe and enjoyable backyard fun.

## Table of Contents

Letter to Customer .....	2
Positioning Your Playcenter .....	3
Tools Required for Assembly .....	3
Helpful Installation Hints .....	4
Suggested Playground Surfacing .....	5
Operating Instructions .....	6
Maintenance Instructions .....	7
Disposal Instructions .....	7
CPSC Information Sheet .....	8
Assembly Instructions .....	9
Frequently Asked Questions .....	34
Customer Notes .....	35
Limited Warranty .....	37
Warranty Claim Procedure .....	38
Customer Registration Card .....	39
UK Registration Card .....	41

Your owner's manual should be read carefully before starting assembly.

Dear Customer:

Thank you for purchasing an Adventure Playsets Playcenter. We hope it will bring you and your children many years of safe and enjoyable backyard fun. Adventure Playsets equipment is recommended for use by **children 3 to 10 years of age**. Adventure Playsets structures are **not intended for public use**. **Adventure Playsets does not warranty any of its residential structures subjected to commercial use.**



**WARNING:** This Symbol points out important safety instructions which, if not followed, could endanger the personal safety of yourself and your children and/or damage your property. You **MUST** read and follow all instructions in this manual before attempting to use this playcenter.



**WARNING:** Children must **NOT** use this playcenter until unit has been completely assembled and inspected by an adult to insure set has been properly installed and anchored.

Please follow all recommendations below. **Failure to do so may result in the warranty being void and/or safety violations that could result in serious injury.** The following information has been provided to help you in your installation, continued satisfaction, and safe operation of your Adventure Playsets purchase.

Always keep the safety of your children in mind as your play structure is being built and as your children play on the set. Before your children play on the set please review the Operation Instructions with them to help ensure their safety.

**PLEASE RETAIN THESE INSTRUCTIONS FOR FUTURE REFERENCE.**  
**KEEP THEM IN A SAFE PLACE WHERE YOU CAN REFER TO THEM AS NEEDED.**

Please do **NOT** return the playcenter to the retailer from which it was purchased, without first contacting Customer Service.

### ***General Information:***

*Please take time and fill out the information below. This information will be needed for warranty issues.*

**Date of Purchase:** \_\_\_\_\_ **Date stamped on box:** \_\_\_\_\_

**Manufacturer:** Adventure Playsets      **Vendor:** \_\_\_\_\_  
14201 Interstate 27      \_\_\_\_\_  
Amarillo, TX 79119      \_\_\_\_\_  
Ph. #: 1-800-856-4445      \_\_\_\_\_  
Fax: 806-622-1515      \_\_\_\_\_  
E-mail: **custservice@adventureplaysets.com**  
Website: **http://www.adventureplaysets.com**

### **Unit Type:**

Unit Name: The Cascade      Revision Date: 12/29/05

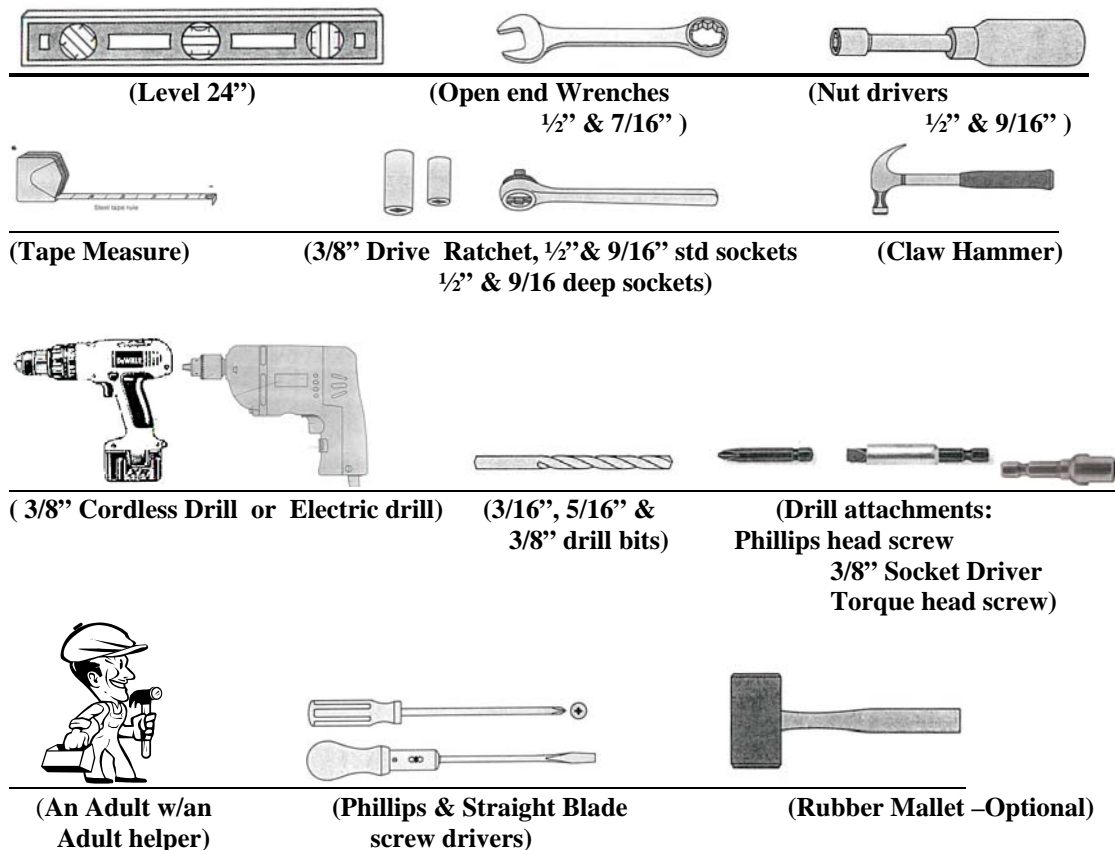
Unit Model Number: 1-AP019-06

The instructions and owner's manual for your new Playcenter should be read in its entirety before assembly, to minimize problems and safety issues. We recommend reading the owner's manual thoroughly after you have identified all of the parts for your Playcenter as discussed in the Helpful Installations Hints section below.

### ***Positioning Your Play center***

1. The Playcenter is designed to be installed on a level surface **by an Adult with an Adult helper**. Try to place in a flat area of your yard to minimize ground preparation.
2. Place the equipment not less than 6 ft from any structure or obstruction such as a fence, garage, house, overhanging branches, laundry lines, or electrical wires.
3. It is a good idea to place your Playcenter in an area that is convenient for adults to watch children at play.
4. The area that you choose should be policed for glass, rocks or anything jagged or sharp that could endanger your children's safety. The surface underneath your play system can cause or prevent injuries. We have additional suggestions in the Suggested Playground Surfacing Section.
5. Do not build your playset on top of surfacing material.

### ***Tools Required for Installation:***



## *Helpful Installation Hints*

1. Depending on your experience, assembly of this Play set should take approximately 6 to 12 hours after inventory of parts. Therefore, we recommend you set aside a full day for assembly.
2. Identify all of the parts for your Playcenter. Empty each box and lay out boards so you can see each part. Your instruction book will have detailed drawings that will make it easy for you to recognize individual parts. Keep all hardware and metal parts separate from wooden pieces.
3. After everything is laid out, check carefully to ensure all parts are present. Make sure there are no broken boards.
4. Find an area to sort your hardware. It is best to open the hardware on a solid surface so that you do not lose any pieces in the grass. This will save time and familiarize you with all the different pieces in the hardware bag.
5. Important note: Wood has some natural defects such as knots, surface cracks, etc... We reject parts that are structurally defective. We use a high quality lumber in our structures; however, you should inspect each part for splinters or rough spots and sand them smooth to prevent injury.
6. After steps 1 thru 4 have been completed, read all the way through the instructions completely. Reading instructions after you have studied the parts will help you understand more clearly the installation process, and help to eliminate unnecessary mistakes.
7. Pay close attention to the diameter and length of each bolt and screw. There will be different sizes in the same bag, so they must be sorted correctly.
8. Swing hangers should be buried past the threads, so that the loop is against the swing beam. Adventure Playsets is not responsible for incorrect installations of swing hangers. Failure to properly install swing hangers may cause severe injury.
9. Never tighten hardware completely at first. It helps to have some adjustment for bolt alignment while you are attaching parts together. After everything is square, tighten each joint.
10. After the main unit is assembled it is critical that the floor is level and square. If the main frame is not level, the walls and floor will be out of square.
11. After you complete installation, make sure every bolt, screw, and nut is tight, and every board is secure. Wood will expand and contract with the seasons. Check all bolt connections and swing hangers every two weeks.
12. Place the set on level ground, not less than 6ft from any structure or obstruction such as a fence, garage, house, overhanging branches, laundry lines, or electrical wires.

**READ! VERY IMPORTANT!**

If you are missing parts or have questions regarding the installation of our quality product PLEASE call us directly at the factory (1-800-856-4445). Our trained staff will be happy to assist you.

**Customer service hours:**  
**Monday thru Friday 9am to 5pm**  
**Saturday 9am to 2pm**  
**Central Standard Time.**

E-mail: [custservice@adventureplaysets.com](mailto:custservice@adventureplaysets.com)

**ATTENTION: UK CUSTOMERS**

We thank you for purchasing our excellent quality play equipment. We are sure that you will be satisfied with your selection. However, should you experience any problems or require any advice, do not return the item to the store, please contact our European Customer Service Number below. To ensure a prompt and efficient handling of your query please have your assembly instructions ready when you call.



Tel: 08700 170580 or email us at [info@plumproducts.com](mailto:info@plumproducts.com)

***Suggested Playground Surfacing***

- ❑ Playground equipment should never be placed on hard surfaces such as concrete or asphalt.
- ❑ Shredded bark mulch, wood chips, fine sand and fine gravel, are added as shock absorbing materials after assembly. If used properly these materials can absorb some of the impact of a child’s fall.
- ❑ All surface material should extend a minimum of 6 feet in all directions around the play area.

**The following chart explains the fall height in feet from which a life threatening head injury would not be expected**

**Critical Heights in feet (m) of Tested Materials**

Material	Uncompressed Depth			Compressed Depth
	6" (152mm)	9" (228mm)	12" (304mm)	to 9" (228mm)
Wood Chips	7' (2.13m)	10' (3.05m)	11' (3.35m)	10' (3.05m)
Double-Shredded bark mulch	6' (1.83m)	10' (3.05m)	11' (3.35m)	7' (2.13m)
Engineered Wood Fibers	6' (1.83m)	7' (2.13m)	>12' (3.66m)	6' (1.83m)
Fine Sand	5' (1.52m)	5' (1.52m)	9' (2.74m)	5' (1.52m)
Coarse Sand	5' (1.52m)	5' (1.52m)	6' (1.83m)	4' (1.22m)
Fine Gravel	5' (1.52m)	7' (2.13m)	10' (3.05m)	6' (1.83m)
Medium Gravel	5' (1.52m)	5' (1.52m)	6' (1.83m)	5' (1.52m)
Shredded Tires*	10-12' (3.0-3.6m)	N/A	N/A	N/A

\*This data is from tests conducted by independent testing laboratories on a 6-inch depth of uncompressed shredded tire samples produced by four manufacturers. The tests reported critical heights, which varied from 10 feet to greater than 12 feet. It is recommended that persons seeking to install shredded tires as a protective surface request test data from the supplier showing the critical height of the material when it was tested in accordance with ASTM F1292.

## *Operating Instructions:*



**NOTE:** Your children's safety is our #1 concern. Observing the following statements and warnings reduces the likelihood of serious or fatal injury. Please review these safety rules regularly with your children.

1. This Playcenter is designed for the use of 3 occupants who have a combined weight not exceeding 280 pounds.
2. On-site adult supervision is **required**.
3. Instruct children **not** to walk close to, in front of, behind, or between moving swings or other moving playground equipment.
4. Instruct children to sit in and **never** stand on swings
5. Instruct children **not** to twist the chains and ropes and not to loop them over the top support bar, since this may reduce the strength of the chain or rope.
6. Instruct children **not** to jump from swings or other playground equipment in motion.
7. Instruct children to **not push** empty seats. The seat may hit them and cause serious injury.
8. Instruct and teach children to sit in the center of the swings with their full weight on the seats.
9. Instruct children **not** to use the equipment in a manner other than intended.
10. Instruct children to **always** go down slides feet first. Never slide headfirst.
11. Instruct children to **look** before they slide to make sure no one is at the bottom.
12. Instruct children to **never** run up a slide, as this increases their chances of falling.
13. The parents should have the children **dress appropriately** with well-fitting shoes. Loose clothing such as scarves and ponchos should not be worn. Always take off, tie up or tuck in cords and drawstrings on children's clothing. These things can get caught on playground equipment and strangle a child.
14. Instruct children **not** to climb when the equipment is wet.
15. Instruct children to **never** jump from a fort deck. They should always use the ladder, ramp or slide.
16. Instruct children to **never** crawl or walk across the top of monkey bars.
17. Instruct children to **never** crawl on top of a fort roof.
18. Verify that any suspended climbing ropes, chain, or cable are secured at both ends and that they cannot be looped back on it.
19. Instruct children **not** to attach items to the playground equipment that are not specifically designed for use with the equipment, such as, but not limited to, jump ropes, clothesline, pet leashes, cables and chain as they may cause a strangulation hazard.
20. Instruct children to **never** use Monkey Bar when swings or glider are in use.
21. Instruct children to **never** wrap their legs around swing chain.
22. Instruct children to **never** slide down the swing chain.



## ***Maintenance Instructions:***

1. Check all nuts and bolts twice monthly during the usage season and tighten as required. (But not so tight that you crack the wood) We recommend you check the swing beam and hardware every two weeks due to wood expansion and contraction. It is particularly important that this procedure be followed at the beginning of each season.
2. Remove plastic swing seats and take indoors or do not use when the temperature drops below 32 °F.
3. Oil all metallic moving parts monthly during the usage period.
4. Check all coverings for bolts and sharp edges twice monthly during usage season to be certain they are in place. Replace when necessary. It is especially important to do this at the beginning of each new season.
5. Check swing seats, ropes, cables and chains monthly during usage season for evidence of deterioration. Replacement should be made of any swing seat that has developed cracks in the plastic seats or has exposed metal in the edges of the swing seat. If there are already exposed metal inserts on the edge of the seat, immediately remove the seats and chains to prevent serious injury. Ropes, cables and chains should be removed and replaced if excessive wear is found. Contact Adventure Playsets for replacement parts.
6. For rusted areas on metallic members such as monkey bars, hand supports, brackets, etc., sand and repaint, using a non lead-based paint meeting the requirements of Title 16 CRF Part 1303.
7. Inspect wood parts monthly. The grain of the wood sometimes will lift in the dry season causing splinters to appear. Light sanding may be necessary to maintain a safe playing environment. If you are treating your Playcenter with stain regularly, it will help prevent severe checking/splitting and other weather damage.
8. We recommend treating the wood components once or twice a year depending on the type of weather you have and when sanding has been required to maintain a good surface. We treat our wood with a waterborne transparent stain.
9. Creating and maintaining the Playcenter on a level location is very important. As your children play, your Playcenter will slowly dig its way into the soil, and it is very important that it settles evenly. Make sure the play set is level and true once each year or at the beginning of each play season.

## ***Disposal Instructions:***

When the Playcenter use is no longer desired, it should be disassembled and disposed of in such a way that no unreasonable hazards will exist at the time the unit is discarded.

<b>NOMINAL MATERIAL SIZES</b>			
<b>NAMED SIZE</b>		<b>TRUE SIZE</b>	
Imperial (")	Metric (mm)	Imperial (")	Metric (mm)
1x6	2.5x15.3	3/4x5x1/2	1.9x14
5/4x4	3.2x10.2	1x3 1/2	2.5x9
5/4x6	3.2x15.3	1x5 1/2	2.5x14
2x2	5x5	1 1/2x1 1/2	3.8x3.8
2x3	5x7.6	1 1/2x2 1/2	3.8x6.4
2x4	5x10	1 1/2x3 1/2	3.8x9
2x6	5x15.3	1 1/2x5 1/2	3.8x14
4x4	10x10	3 1/2x3 1/2	9x9
Estimated Sizing Due to Molding of Wood			

## APPENDIX A

### *Information on Playground Surfacing Materials:*

The following information is from the *United States Consumer Product Safety Commission's Information Sheet for playground surfacing material*. Also see the following website for additional information: [www.cpsc.gov/cpscpub/pubs/323.html](http://www.cpsc.gov/cpscpub/pubs/323.html).

#### X3. CONSUMER INFORMATION SHEET FOR PLAYGROUND SURFACING MATERIALS<sup>11</sup>

X3.1 The U.S. Consumer Product Safety Commission (CPSC) estimates that about 100,000 playground equipment-related injuries resulting from falls to the ground surface are treated annually in U.S. hospital emergency rooms. Injuries involving this hazard pattern tend to be among the most serious of all playground injuries, and have the potential to be fatal, particularly when the injury is to the head. The surface under and around playground equipment can be a major factor in determining the injury-causing potential of a fall. It is self evident that a fall onto a shock-absorbing surface is less likely to cause a serious injury than a fall onto a hard surface. Playground equipment should never be placed on hard surfaces such as concrete or asphalt and while grass may appear to be acceptable it may quickly turn to hard packed earth in areas of high traffic. Shredded bark mulch, wood chips, fine sand or fine gravel are considered to be acceptable shock absorbing surfaces when installed and maintained at a sufficient depth under and around playground equipment.

X3.2 Table X3.1 lists the maximum height from which a child would not be expected to sustain a life-threatening head injury in a fall onto four different loose-fill surfacing materials if they are installed and maintained at depths of 6, 9, and 12 in. However, it should be recognized that all injuries due to falls cannot be prevented no matter what surfacing material is used.

X3.3 It is recommended that a shock absorbing material should extend a minimum of 6 ft in all directions from the perimeter of stationary equipment such as climbers and slides. However, because children may deliberately jump from a moving swing, the shock absorbing material should extend in the front and rear of a swing a minimum distance of 2 times the height of the pivot point measured from a point directly beneath the pivot on the supporting structure.

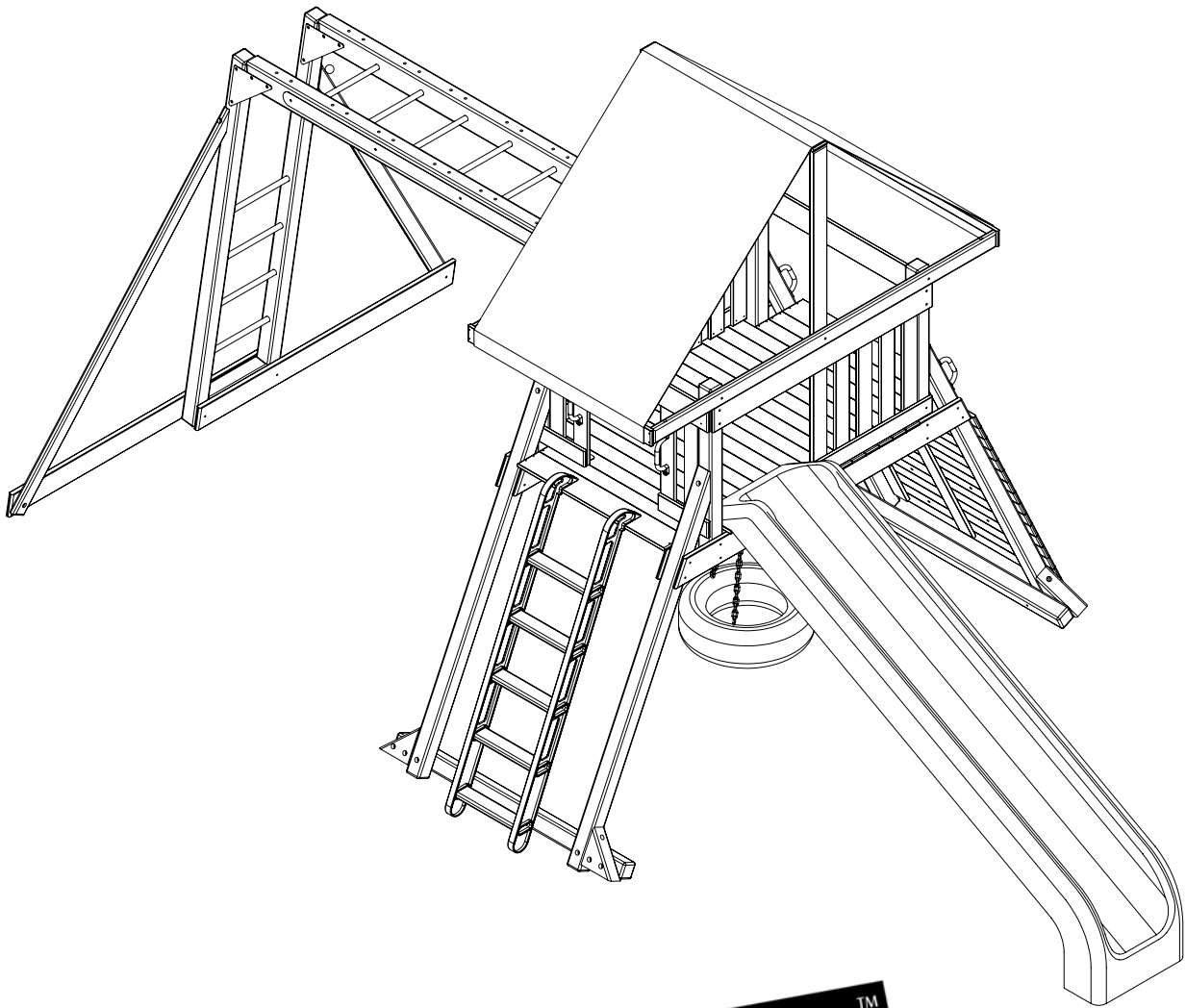
X3.4 This information is intended to assist in comparing the relative shock-absorbing properties of various materials. No particular material is recommended over another. However, each material is only effective when properly maintained. Materials should be checked periodically and replenished to maintain correct depth as determined necessary for your equipment. The choice of a material depends on the type and height of the playground equipment, the availability of the material in your area, and its cost.

<sup>11</sup>This information has been extracted from the CPSC publications "Playground Surfacing — Technical Information Guide" and "Handbook for Public Playground Safety." Copies of these reports can be obtained by sending a postcard to: Office of Public Affairs, U.S. Consumer Product Safety Commission, Washington, D.C., 20207 or call the toll-free hotline: 1-800-638-2772.

The American Society for Testing and Materials takes no position respecting the validity of any patent right asserted in connection with any item mentioned in this standard. Users of this standard are expressly advised that determination of the validity of any such patent rights, and the risk of infringement of such rights, are entirely their own responsibility.

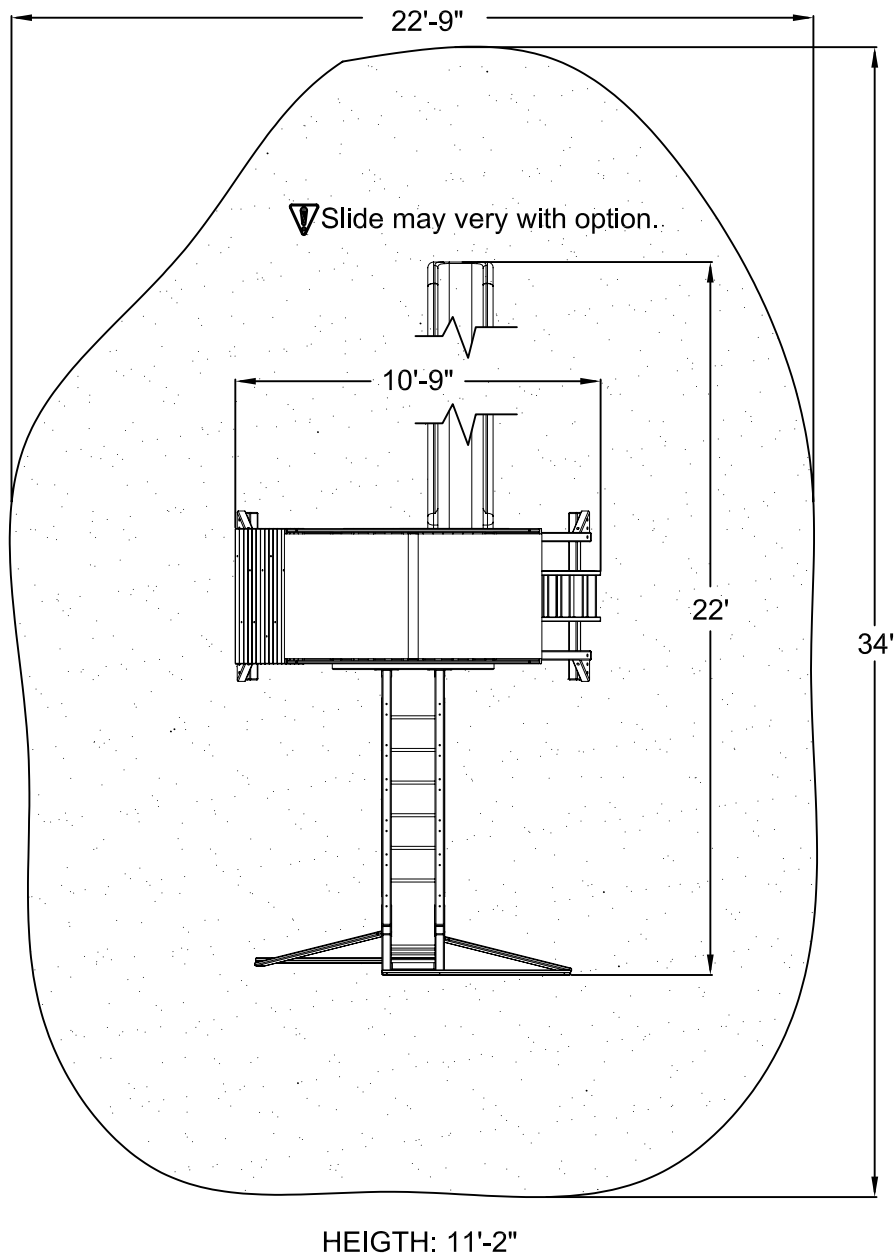
The standard is subject to revision at any time by the responsible technical committee and must be reviewed every five years and if not revised, either approved or withdrawn. Your comments are invited either for revision of this standard or for additional standards and should be addressed to ASTM Headquarters. Your comments will receive careful consideration at a meeting of the responsible technical committee, which you may attend. If you feel that your comments have not received a fair hearing you should make your views known to the ASTM Committee on Standards, 100 Barr Harbor Drive, West Conshohocken, PA 19428.

# The Cascade Assembly Instructions



# Basic Setup Dimensions

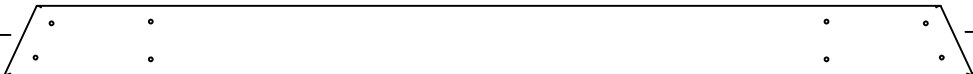
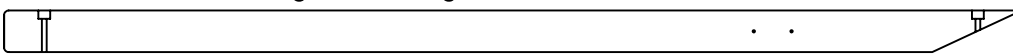
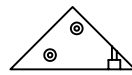

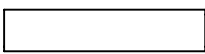
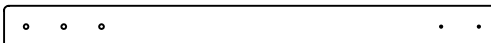
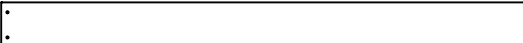

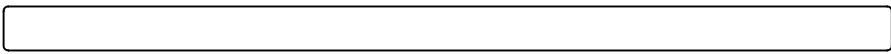
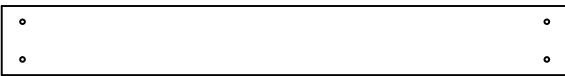
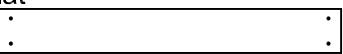
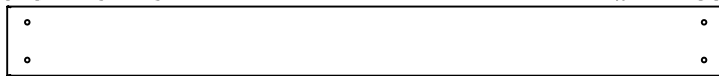
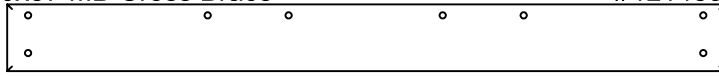
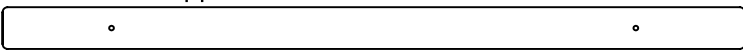
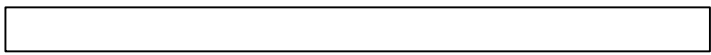
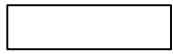
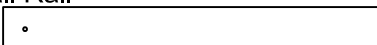
Assemble the Playset on level ground with a play area not less than 6ft. from any structure or obstruction such as a fence, garage, house, overhanging branches, laundry lines, or electrical lines.




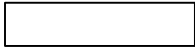
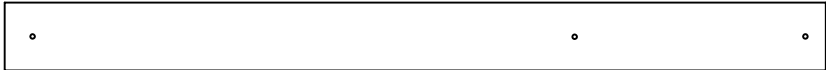
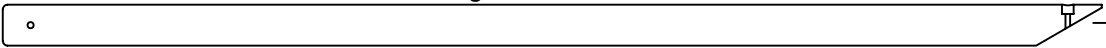
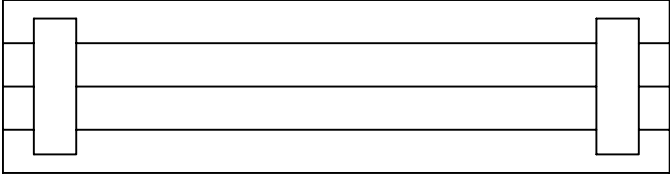
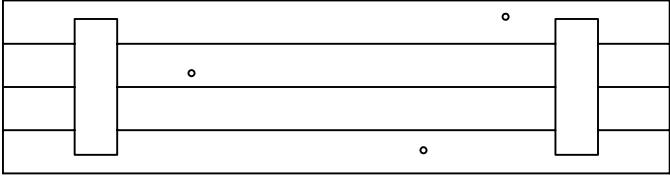
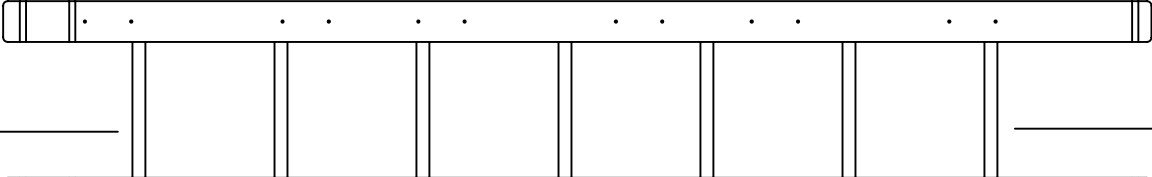
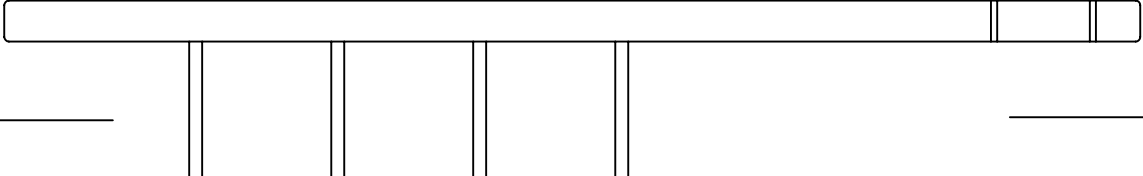



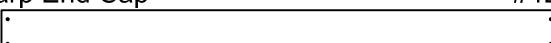
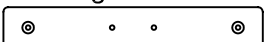
Playset should never be placed on hard surfaces such as concrete or asphalt. It is recommended you cover the play area with a shock absorbing material such as bark mulch, or wood chips. (see page 5) Do not build your play set on top of surfacing material. Finish assembly then lay down the material.

# Parts Identification Wood Components

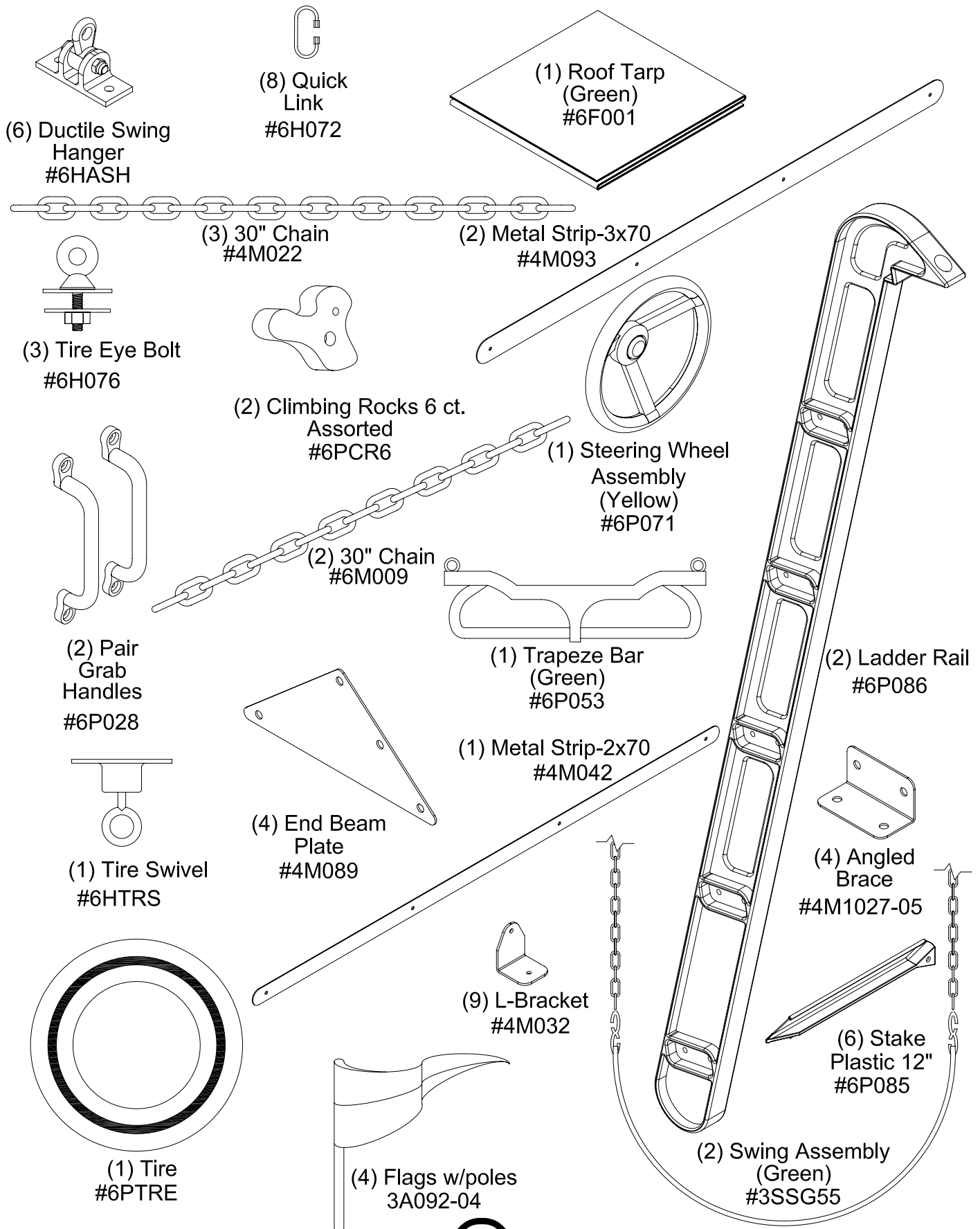
**Notice:** If you are missing any parts, have damaged parts, or have any questions, please call Adventure Playsets customer service at 1-800-856-4445. Our trained staff will answer your questions and/or expedite any parts that you may need. DO NOT contact the retailer that you purchased this product from. The retailer will not have replacement parts.

ID LETTER	DESCRIPTION	PART NUMBER	QUANTITY
A	5/4x6x77 Floor Joist 	#4L1481-06	4
B	4x4x80 1/2 Angled Fort Leg 	#4L1482-06	4
C	4x6x009 15/16 Angle Support Brace 	#4L1866-06	4
D	1x4x47 3/4 Panel Board 	#4L1780-06	2
E	2x4x016 Ladder Rung 	#4L504	5
F	4x4x39 Fort Upright 	#4L1566-06	4
G	1x4x38 1/4 Single Floor Board 	#4L1782-06	4
H	1x6x38 1/4 End Floor Board 	#4L1783-06	3
I	1x4x70 Floor Brace 	#4L1757-06	1
J	1x6x045 Wall Rail 	#4L1784-06	2
K	1x4x27 1/4 Wall Slat 	#4L1424-05	16
L	1x6x57 Wall Rail 	#4L1785-06	1
M	4x6x57 MB Cross Brace 	#4L1489-06	1
N	4x4x59 Base Support 	#4L1490-06	2
O	1x4x056 Rock Wall Brace 	#4L1645-06	1
P	1x4x013 Wall Rail 	#4L1793-06	2
Q	1x4x30 1/4 Wall Rail 	#4L1794-06	1

# Parts Identification Wood Components

ID LETTER	DESCRIPTION	PART NUMBER	QUANTITY
R	1x4x57 Bottom Wall Rail 	#4L1792-06	1
S	2x4x15 3/8 Monkey Bar Base Board 	#4L1556-05	1
T	5/4x6x66 1/2 MB Ground Beam 	#4L1429-05	2
U	2x4x87 1/2 End Ladder Angle Brace 	#4L1430-05	2
V	Floor Panel Assembly - 1x4x47 3/4 (4 board) 	#2A1102-06	3
W	Rock Wall Panel Assembly - 1x4x47 3/4 (4 board) 	#2A1103-06	4
X	Monkey Bar 4x6 Top Ladder 	#2A1051-06	1
Y	Monkey Bar 4x4 End Ladder 	#2A1052-06	1
Z	2x4x89 Tarp Cross Brace 	#4L1567-06	2
AA	1x4x47 5/8 Tarp End Cap 	#4L1795-06	2
AB	5/4x4x73 Tarp Upright 	#4L1813-06	2
AC	1x4x45 Tarp End Cap 	#4L1495-05	1
AD	4x4x21 Tire Swing Mounting Block 	#4L1516-05	1

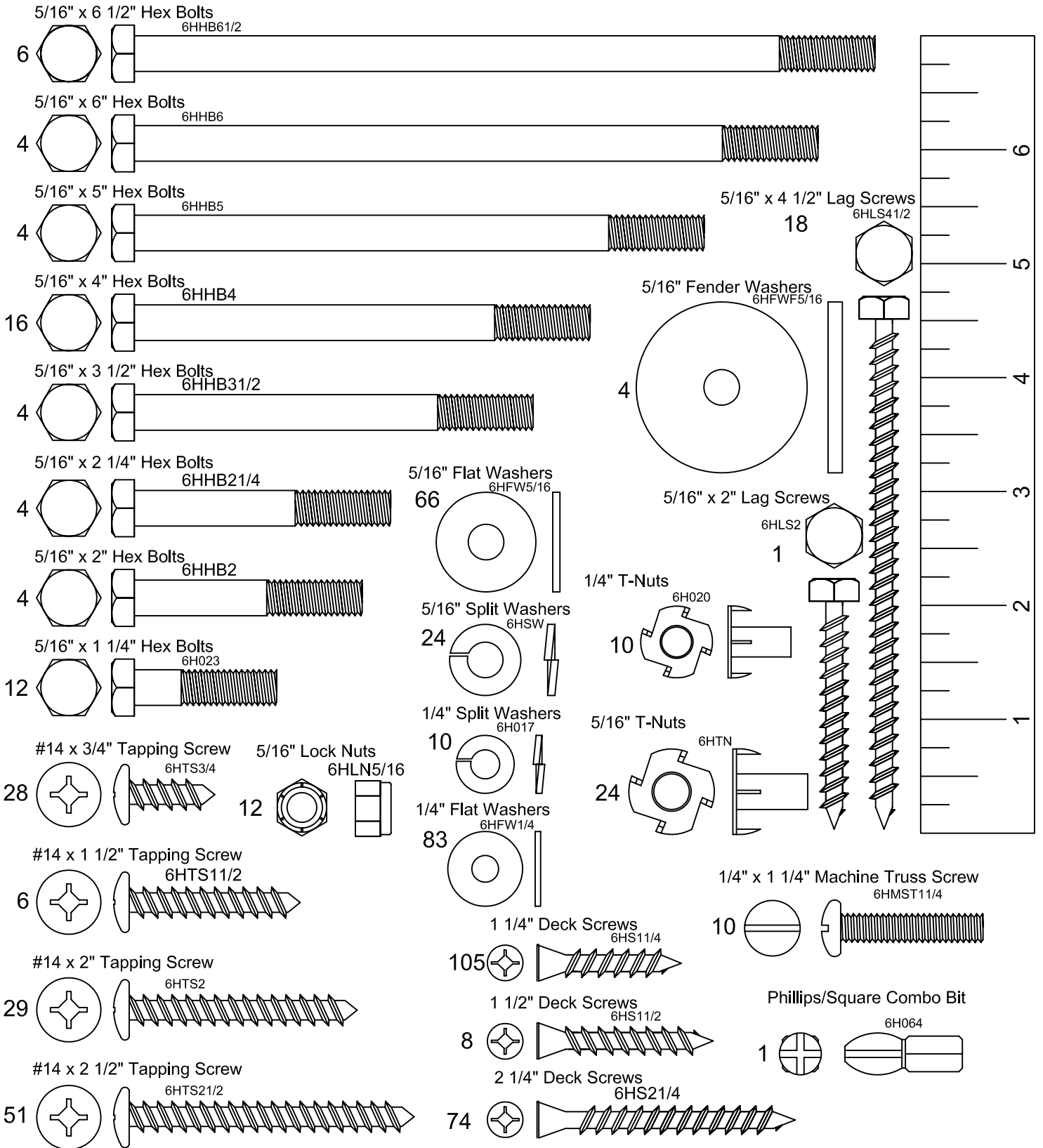
# Parts Identification Accessories



# Parts Identification

# Hardware

## HARDWARE BAG 3H1084-06





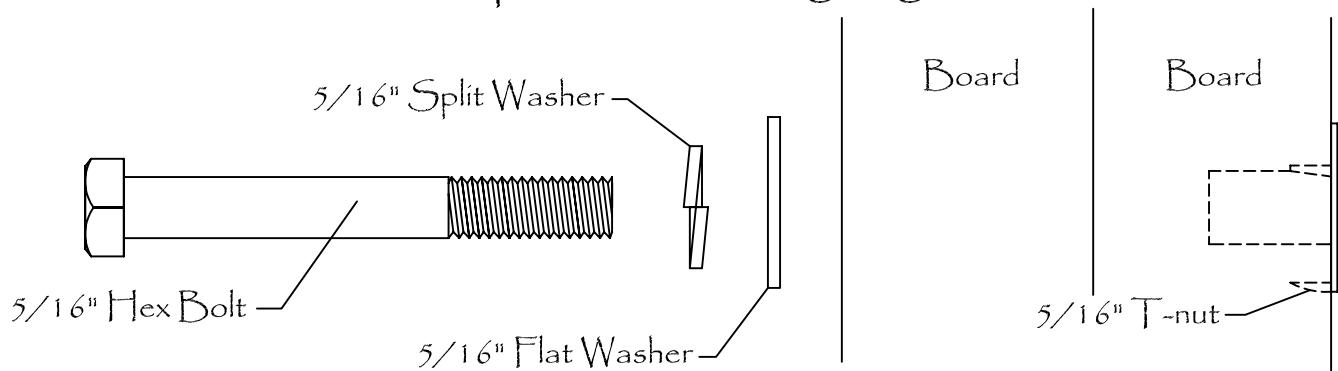
# Hardware Information

Notice: If you are missing any pieces of hardware or have any questions, please call Adventure Playsets customer service at 1-800-856-4445. Our trained staff will answer your questions and/or expedite any hardware that you may need. **DONOT** contact the retailer that you purchased this product from. The retailer will not have replacement hardware.

## Bolting Instructions

Throughout these instructions, when using a hex bolt with a t-nut; a split washer and flat washer must be used between the head of the hex bolt & the boards being bolted.

Using these washers will keep the hex bolts from loosening from the t-nut and keep the bolt from going into the board.



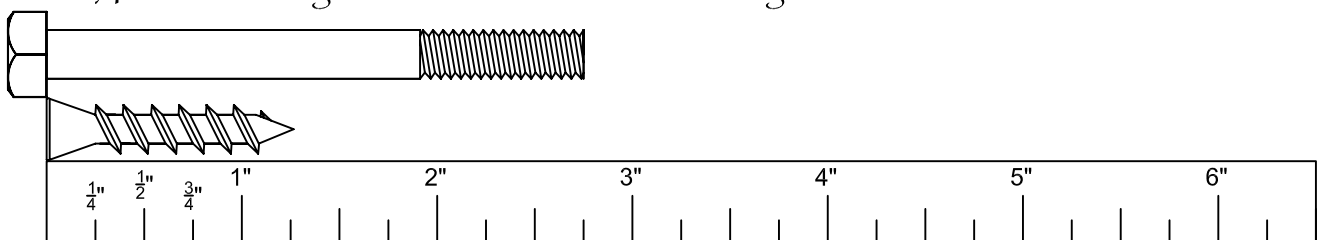
## Measuring Hardware

It is very important to get the correct hardware in the correct place when assembling the playset.

You can use the ruler below to measure your hardware or you can compare the hardware to the full-scale hardware identification page. (page 13)

### NOTES:

- 1) Do not include the bolt head when measuring length of a bolt.
- 2) Include full length of deck screw when measuring.



# PHASE 1 A-FRAME ASSEMBLY

## Gather Items:

- (4) A-5/4x6x77 Floor Joist
- (4) B-4x4x80 1/2 Angled Fort Leg
- (4) F-4x4x39 Fort Upright

### Step 1: Build Assemblies 1 and 2:

Fasten floor joist A to angled fort legs B and Fort Uprights F using (8) #14 x 2 1/2" tapping screws and 1/4" flat washers through the pilot holes on A, B and F. Lightly hammer (4) t-nuts into items F through the predrilled holes as shown. Flip assembly over and attach second floor joist A to B and F in the same manner. Do not hammer in T-nuts to this side.

### Step 2:

Repeat step 1 for second assembly.

### General information to use throughout instructions.



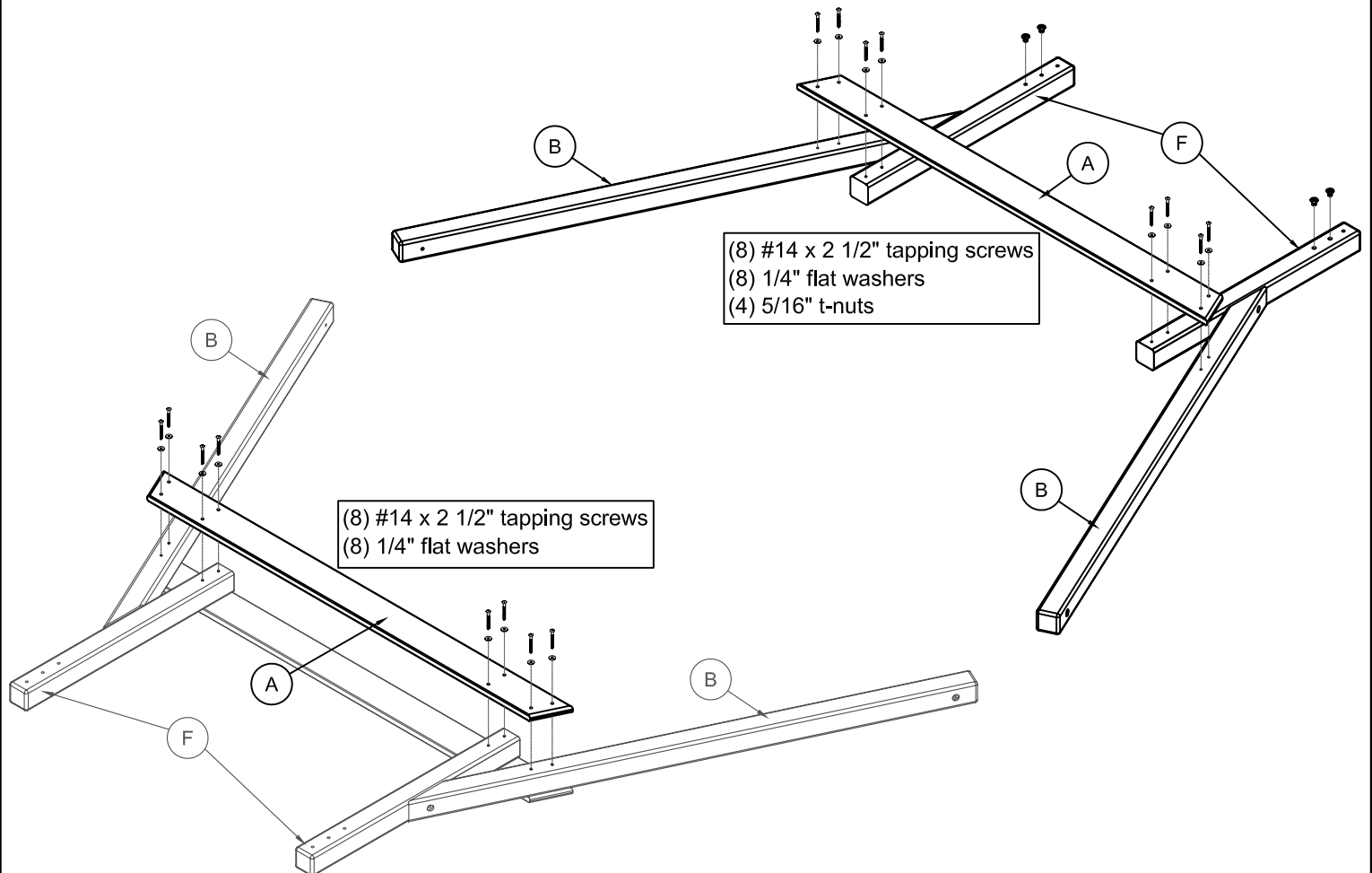
Be sure and lightly hammer t-nuts where instructed.



Be sure and not over tighten hex bolts. Bolts should not protrude more than 2 threads on opposite side.



It is highly recommended that you have at least one adult helper assisting you during installation.



# PHASE 2 A-FRAME ASSEMBLY

## Gather Items:

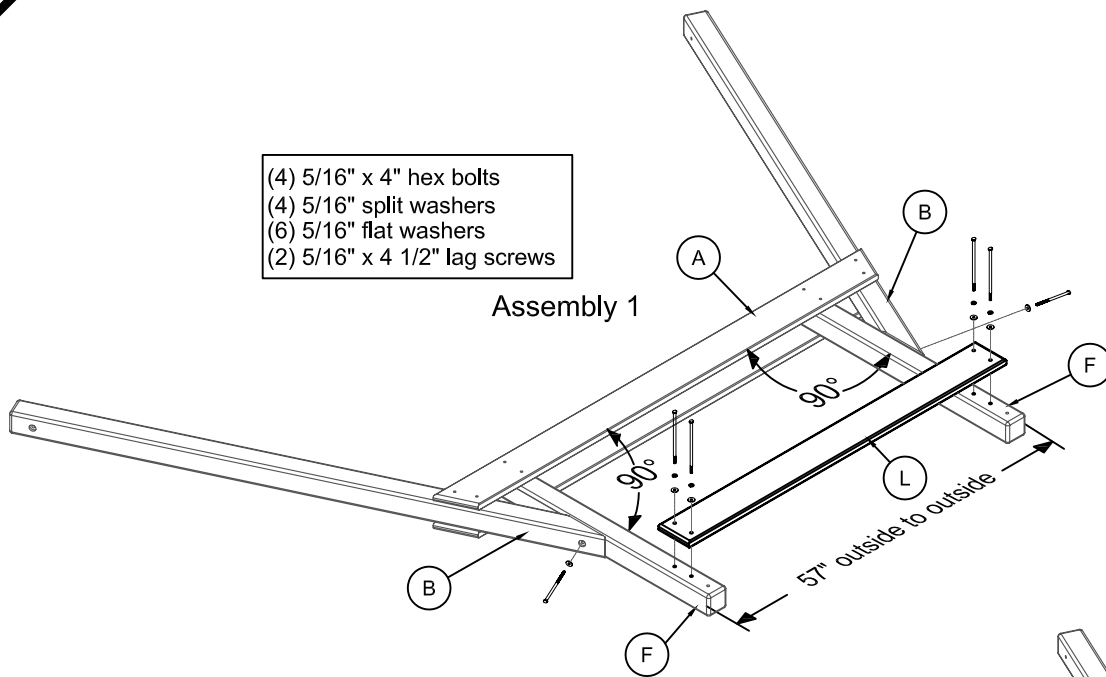
- (1) L-1x6x057 Wall Rail
- (1) M-4x6x057 MB Cross Brace

### Step 1: Completion of Assembly 1:

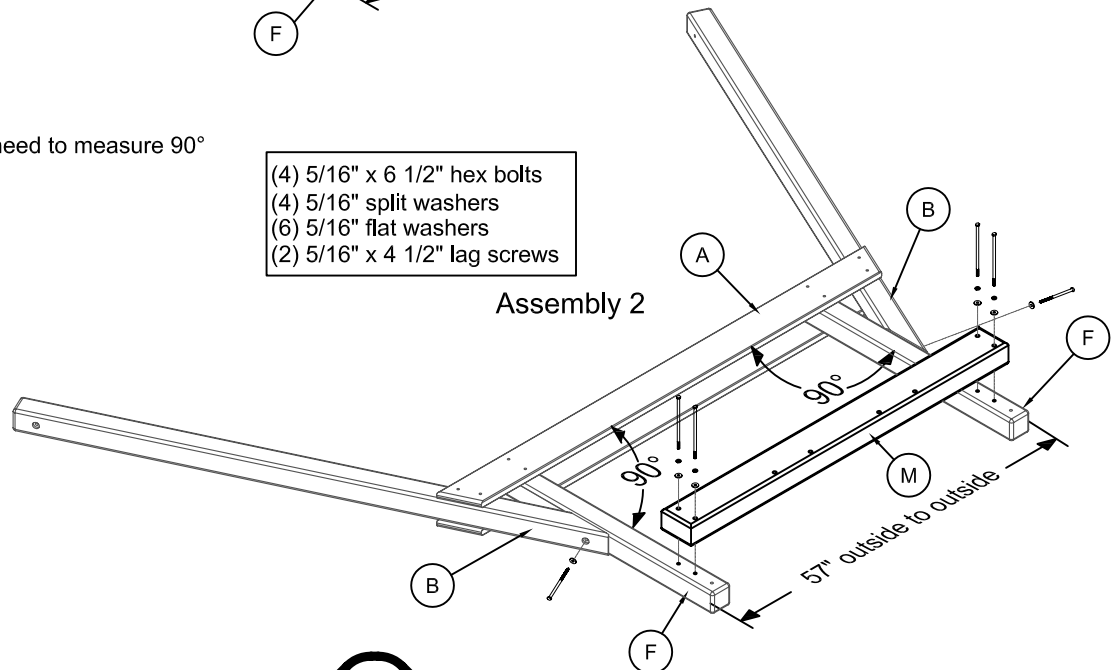
**\*\*NOTE\*\*** You must achieve the 57" outside to outside ref. dimension on Assembly 1 prior to this step. Fasten item L to items F using (4) 5/16" x 4" hex bolts. Once you have double checked 57" ref. dimension, fasten items B to F's using 5/16" x 4 1/2" lag screws.

### Step 2: Completion of Assembly 2:

**\*\*NOTE\*\*** You must achieve the 57" outside to outside ref. dimension on Assembly 2 prior to this step. Fasten item M to items F using (4) 5/16" x 6 1/2" hex bolts. Once you have double checked 57" ref. dimension, fasten items B to F's using 5/16" x 4 1/2" lag screws.



Uprights (F) will need to measure 90° from items A.



# PHASE 3

## Gather Items:

- (2) J-1 x6x045 Wall Rail
- (2) N-4x4x059 Base Support
- (4) C-4x6x009 15/16 Angle Support Brace

### Step 1: Installation of Base Supports:

Stand up Assemblies 1 and 2 and position to achieve the 45" ref. dimension. Once that has been accomplished fasten items (2) N to B's using 5/16" x 6" hex bolts as shown below.

### Step 2: Installation of Wall Rails:

**\*\*NOTE\*\*** Assemblies must be level and measure 45" outside to outside at the top of items F. Place items J against items F and flush the top face with the top face of L and the outside faces flush with the outside face of F (as shown in fig. 1). Fasten using #14 x 2 1/2" tapping screws.

### Step 3: Installation of Angle Support Brace:

Attach (4) angle support brace C to the outside of each angled fort legs B and ground beams N using (3) 4 1/2" lag screws and 5/16" flat washers per angle support brace as shown in fig. 2.



Be sure and make note of the direction Assemblies 1 and 2 are facing.

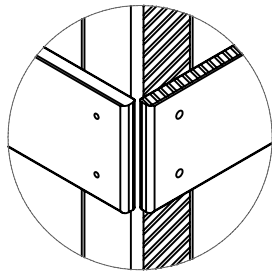
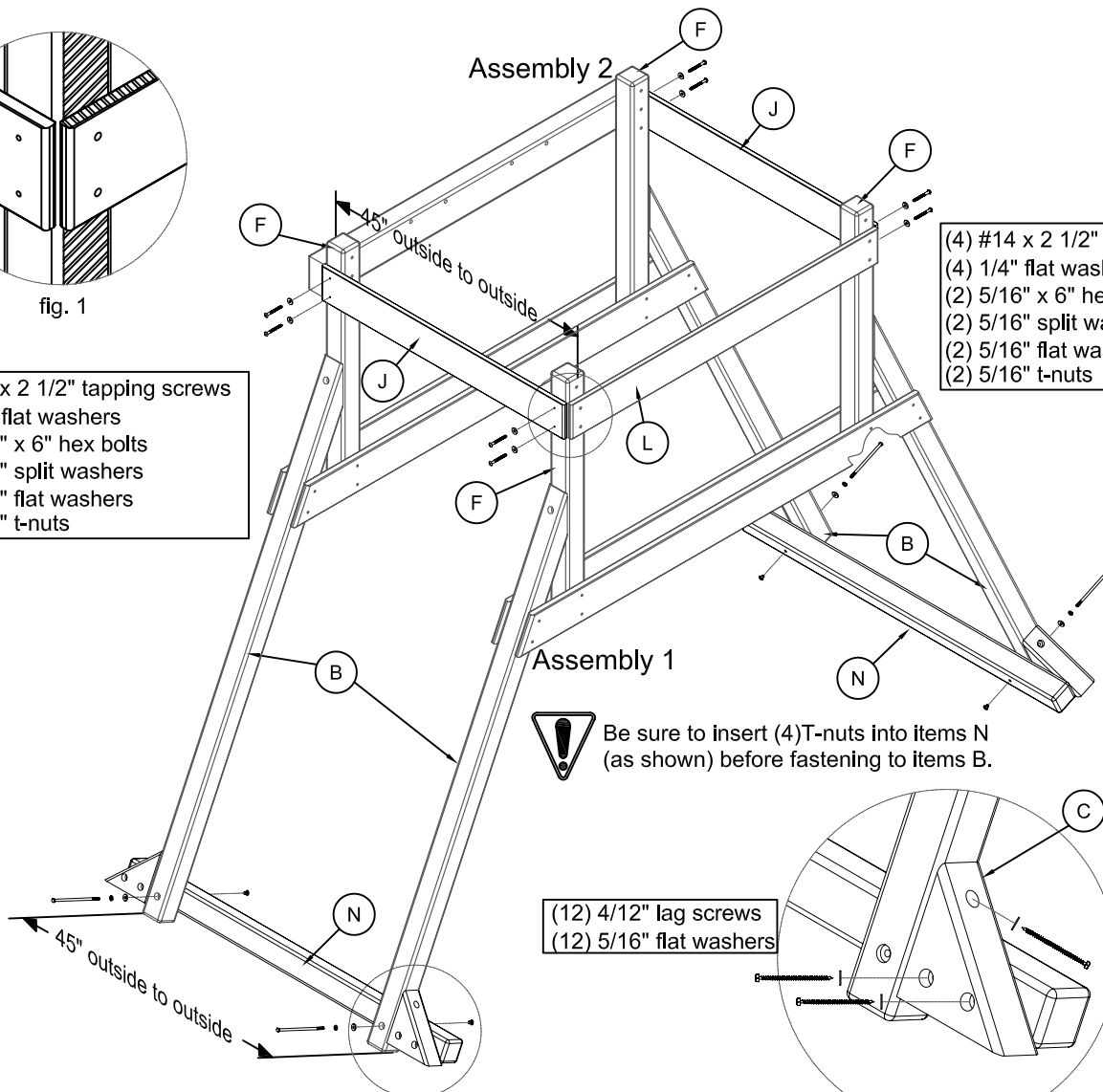


fig. 1

- (4) #14 x 2 1/2" tapping screws
- (4) 1/4" flat washers
- (2) 5/16" x 6" hex bolts
- (2) 5/16" split washers
- (2) 5/16" flat washers
- (2) 5/16" t-nuts



- (4) #14 x 2 1/2" tapping screws
- (4) 1/4" flat washers
- (2) 5/16" x 6" hex bolts
- (2) 5/16" split washers
- (2) 5/16" flat washers
- (2) 5/16" t-nuts



Be sure to insert (4) T-nuts into items N (as shown) before fastening to items B.

- (12) 4/12" lag screws
- (12) 5/16" flat washers

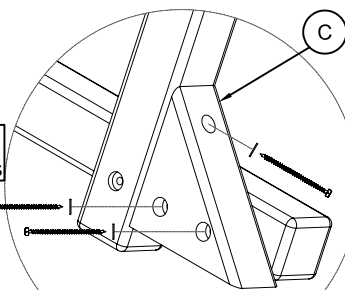


fig. 2

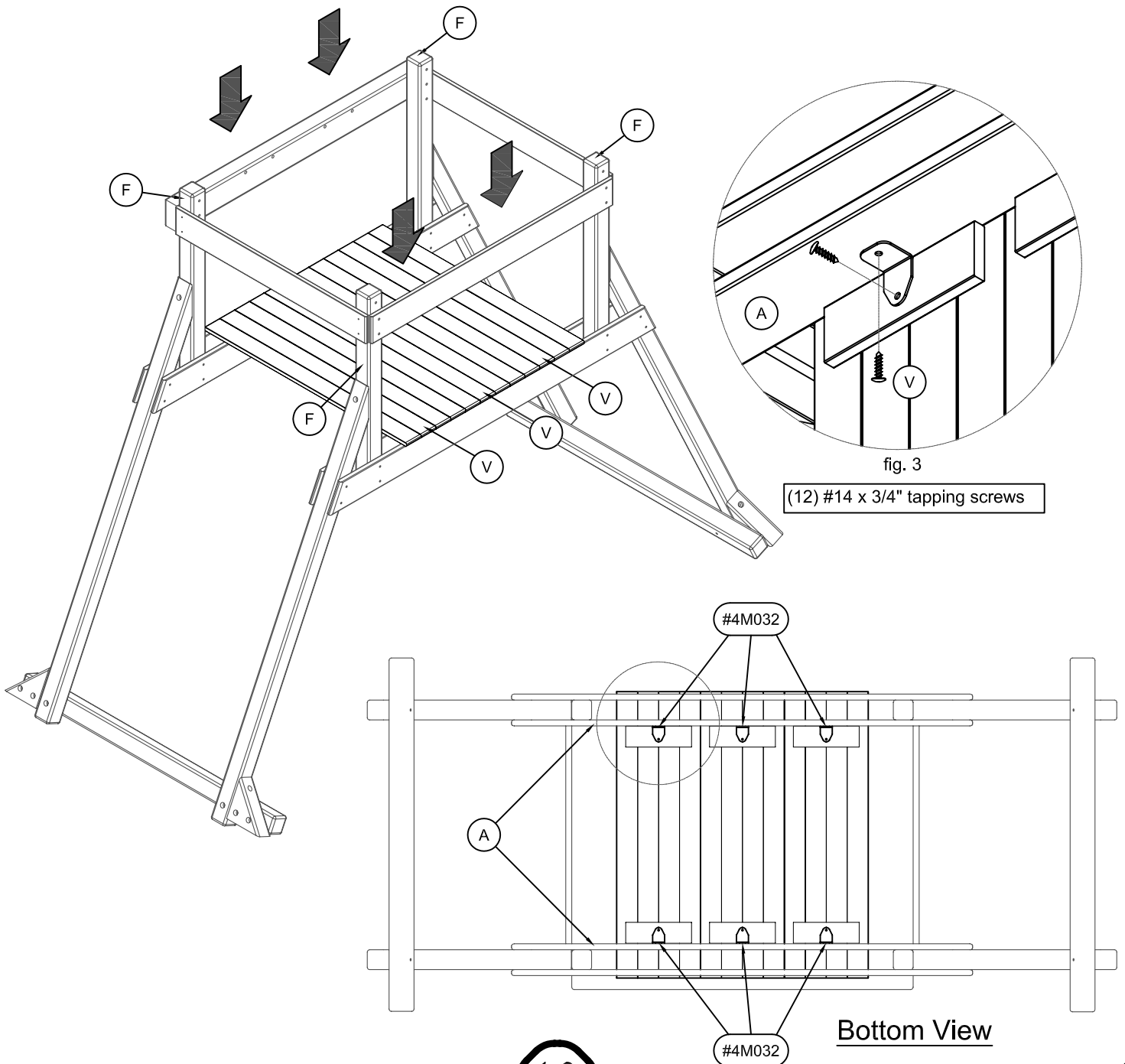
# PHASE 4 FLOOR ASSEMBLY

## Gather Items:

- (3) V-Panel Assembly - 1x4x47 3/4 (4 Board)
- (6) #4M032 L-bracket (Green)

### Step 1: Installation of Floor Panels:

Take (3) item V's and drop them centered in between uprights F with the cleats to the inside of A's. Take (6) #4M032's and fasten them to items V and the inside set of A's using #14 x 3/4" tapping screws as shown in fig. 3.



# PHASE 5 FLOOR ASSEMBLY

## Gather Items:

- (2) D- 1x4x47 3/4 Panel Board
- (4) G- 1x4x038 1/4 Single Floor Board
- (2) H- 1x6x038 1/4 End Floor Board
- (1) I- 1x4x070 Floor Brace
- (1) Q- 1x4x030 1/4 Wall Rail
- (1) R- 1x4x057 Wall Rail

### Step 1: Installation of floor:

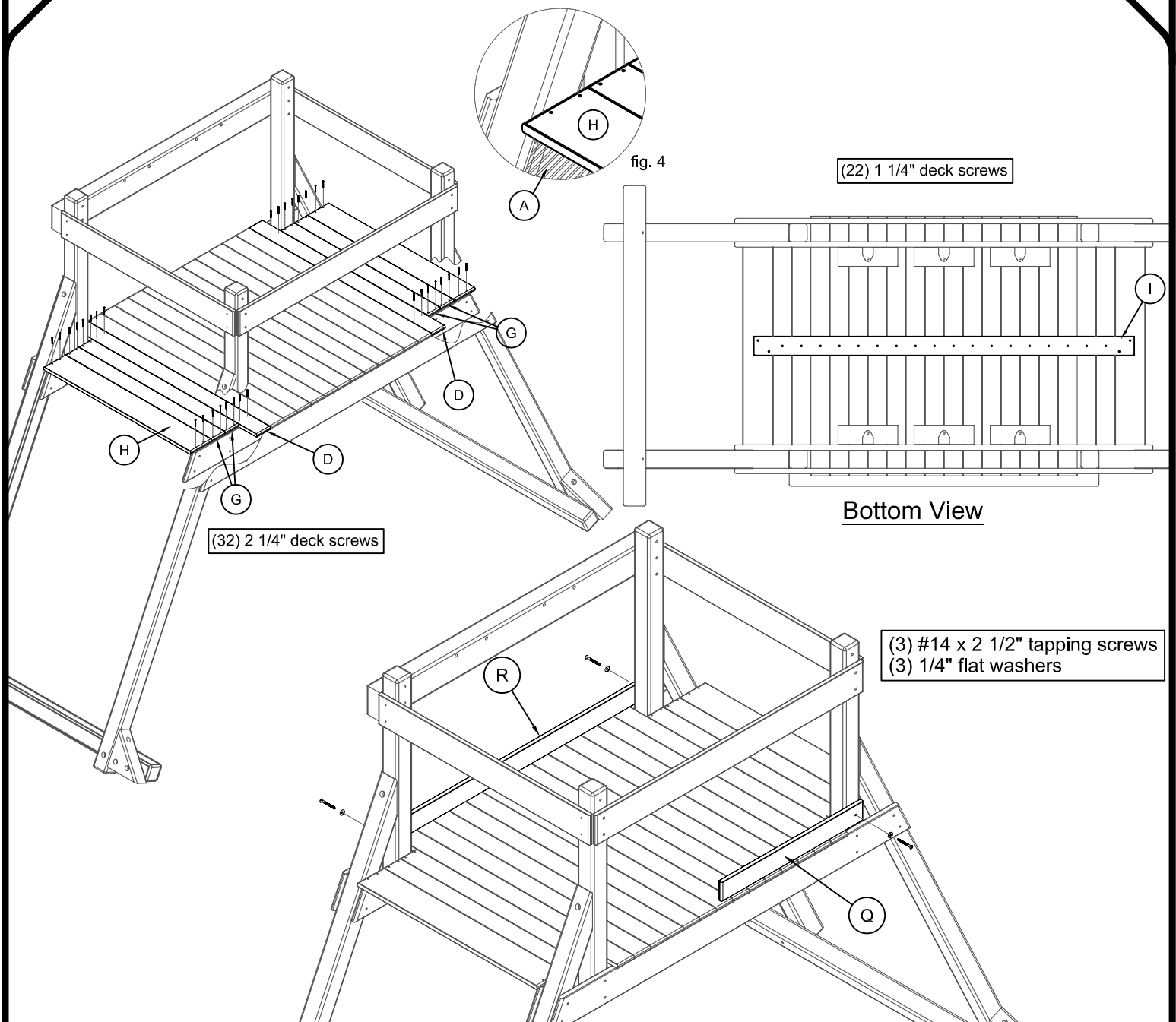
Place (1) D, (2) G and (1) H on top of the inside set of A's, centered, and butted up to item V. Fasten using 2 1/4" deck screws. Do the same for the opposite side.  
**\*\*NOTE\*\*** See fig. 4 for board orientation on item H.

### Step 2: Installation of Center Floor Support:

Place item I centered underneath floor panels and fasten with 1 1/4" deck screws.

### Step 3: Installing Bottom Wall Rails:

Place item Q on floor against upright F with end of Q flush with outside of F, fasten with #14 x 2 1/2" tapping screw. Place item R on front floor against uprights F with ends of R flush with outsides of F, fasten with #14 x 2 1/2" tapping screws.



# PHASE 6 LADDER ASSEMBLY

Gather items:  
(5) E-2x4x016 Ladder Rung  
(2) #6P086 Ladder Rail 5'

## Step 1 Installing Ladder Rungs:

Place a ladder rungs E in each of the 5 sockets on the two ladder rail #6P086. Make sure to keep the ladder rails facing the same direction and screw (2) 2" tapping screws in each of the sockets through the predrilled holes as shown below.

## Step 2 Installing Deck Ladder:

Center deck ladder in wall opening and on fort floor. Slide ladder back until the bottom lip of ladder is flush with edge of floor. Drill a 5/16" hole through the recessed hole on top of each ladder rail. Insert T-nuts in the holes through the bottom of the floor. Attach ladder using a 1/4"x1 1/4" machine truss screw, 1/4" split washer, and 1/4" flat washer through each of the drilled holes as shown in fig. 5.

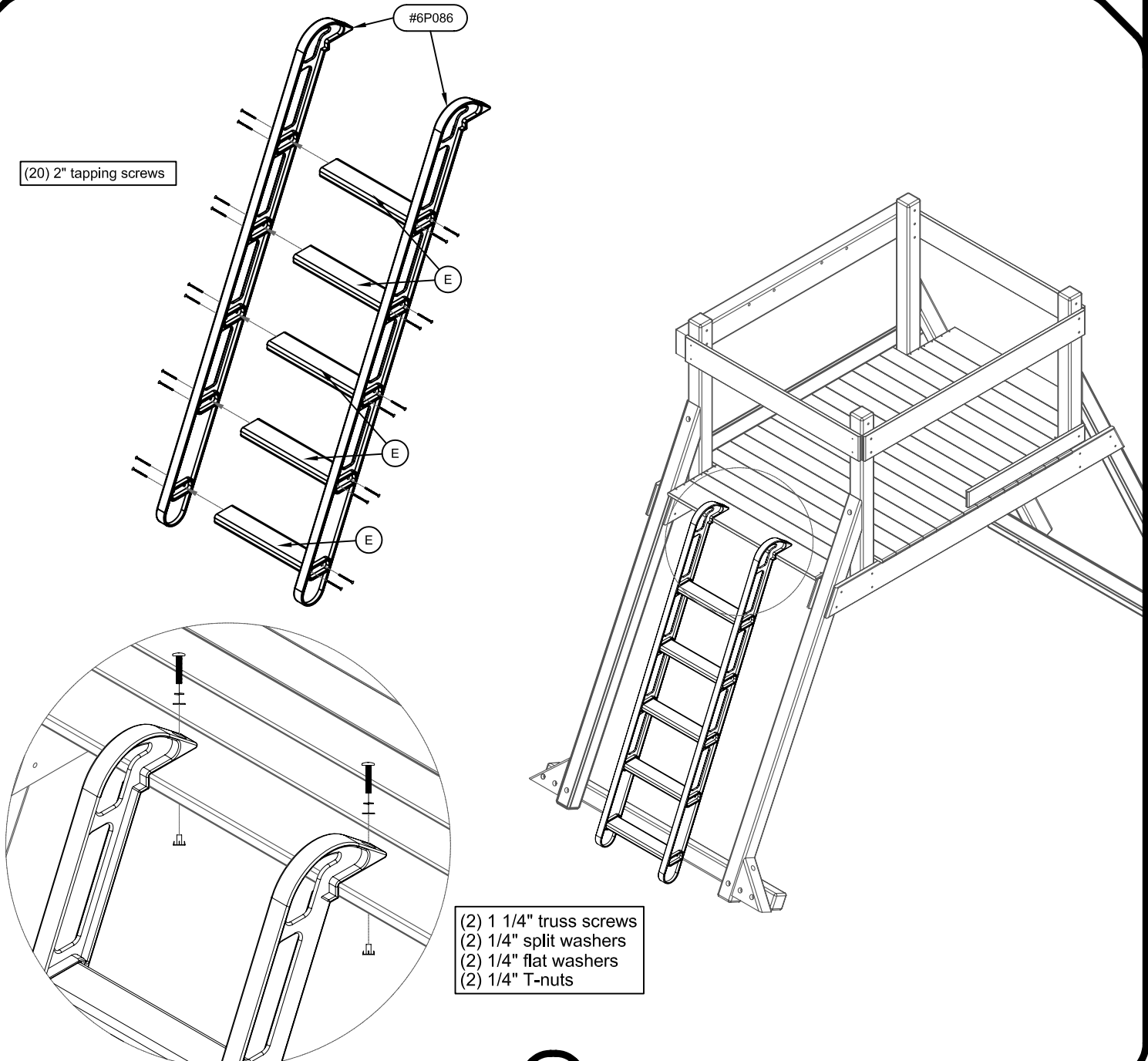


fig. 5

# PHASE 7 WALL ASSEMBLY

## Gather Items:

- (16) K-1x4x027 1/4 Wall Slat
- (2) P-1x4x013 Wall Rail
- (2) #4M032 L-bracket (Green)

### Step 1: Installation of Wall Slats (Monkey Bar Wall):

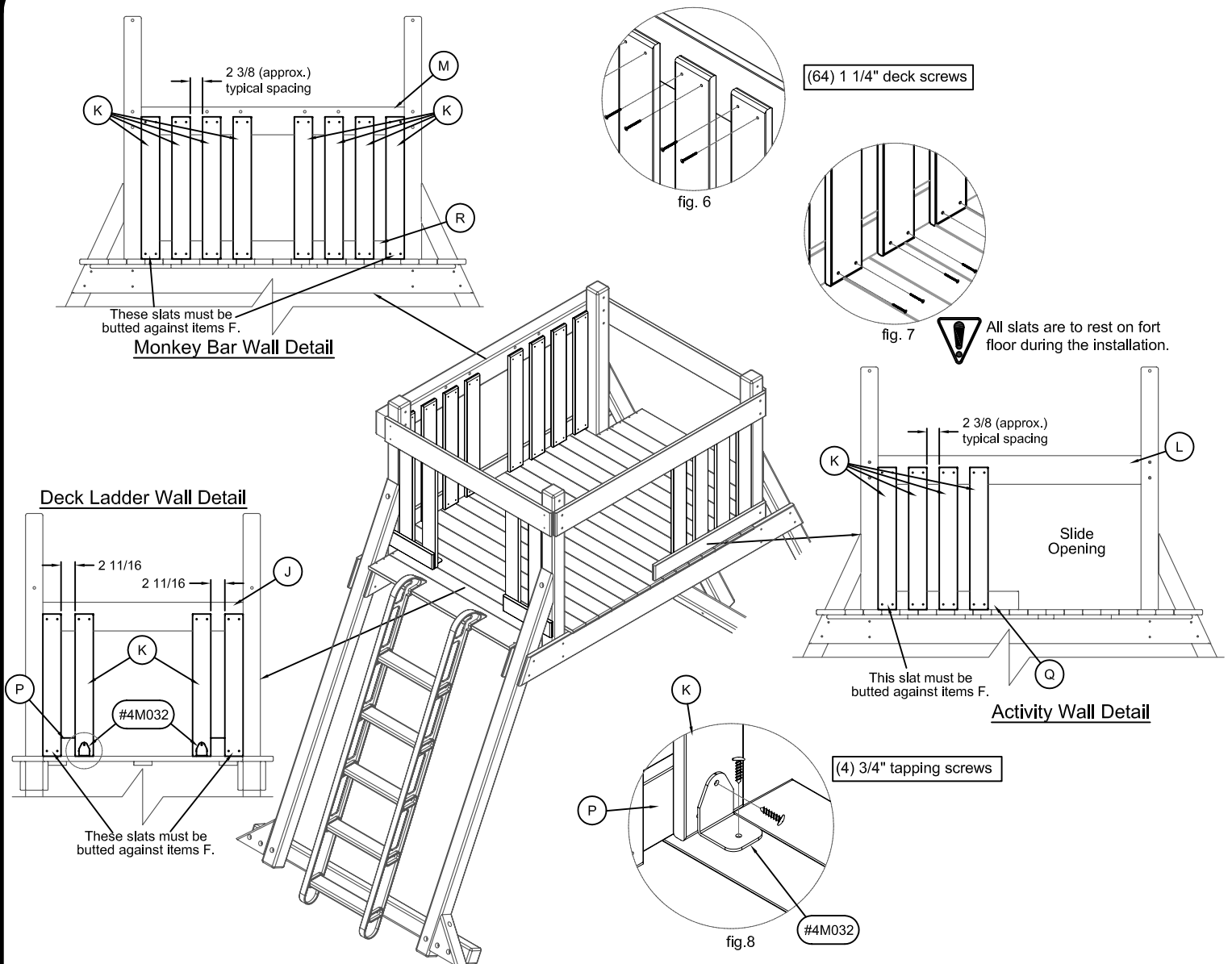
Fasten (2) items K to items M and R, butted up to uprights F (one on each side) using 1 1/4" deck screws. Install (6) slats, 3 on each side, leaving a 2 3/8" gap between each other, and fasten using 1 1/4" deck screws.

### Step 2: Installation of Wall Slats (Activity Wall):

Fasten (1) items K to item L and Q, butted up to upright F on the left side (left side when inside fort) using 1 1/4" deck screws. Install (3) item K against items L and Q leaving a 2 3/8" gap between each other using 1 1/4" deck screws. Bottom wall rail Q will have an open gap at the end.

### Step 3: Installation of Wall Slats (Deck Ladder Wall):

Fasten (2) items K to item J, butted up to uprights F (one on each side) using 1 1/4" deck screws. Install (2) items K leaving a 2 11/16" gap between the previously installed wall slat using 1 1/4" deck screws. Attach (2) items P to items K keeping P flush with the inside K using 1 1/4" deck screws. Fasten #4M032 to K using #1 4 x 3/4" tapping screws as illustrated in fig. 8.



(64) 1 1/4" deck screws

fig. 6

fig. 7

⚠ All slats are to rest on fort floor during the installation.

Monkey Bar Wall Detail

Deck Ladder Wall Detail

Activity Wall Detail

(4) 3/4" tapping screws

fig. 8



# PHASE 8 TARP FRAME ASSEMBLY

## Gather Items:

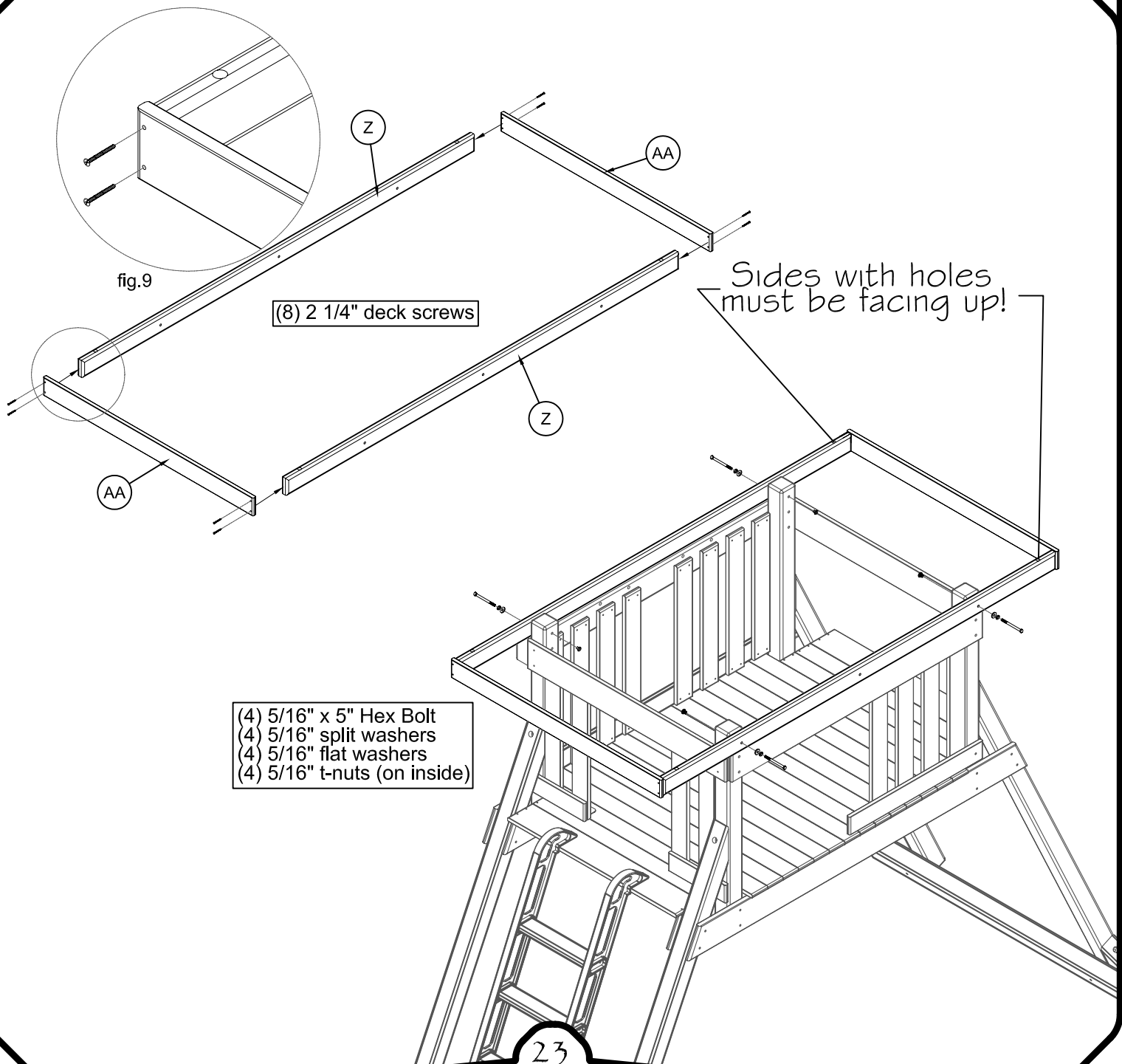
- (2) Z- 2x4x89" Tarp Cross Brace
- (2) AA- 1x4x47 5/8" Tarp End Cap

### Step 1: Building Tarp Bottom Frame:

Attach (1) Tarp End Cap AA to the ends of each Tarp Cross Brace Z with 2 1/4" deck screws as shown. Make sure holes on the edges of Z are facing up.

### Step 2: Attachment of Bottom Frame:

Attach Bottom Frame Assembly to the Fort Uprights F with 5" hex bolts, 5/16" split & flat washers on outside and 5/16" t-nuts on inside of fort as shown. Holes in Tarp Cross Braces Z must be centered on Fort Uprights F.



# PHASE 9 TARPROOF INSTALLATION

## Gather Items:

- (2) AB- 5/4x4x73" Tarp Upright
- (1) AC- 1x4x45" Tarp End Cap
- (1) #4M032 Green L-bracket

### Step 1: Building Tarp Top Frame:

Attach Tarp End Cap AC to the ends of Tarp Uprights AB with 2 1/4" deck screws as shown.

### Step 2: Attaching Tarp Top Frame:

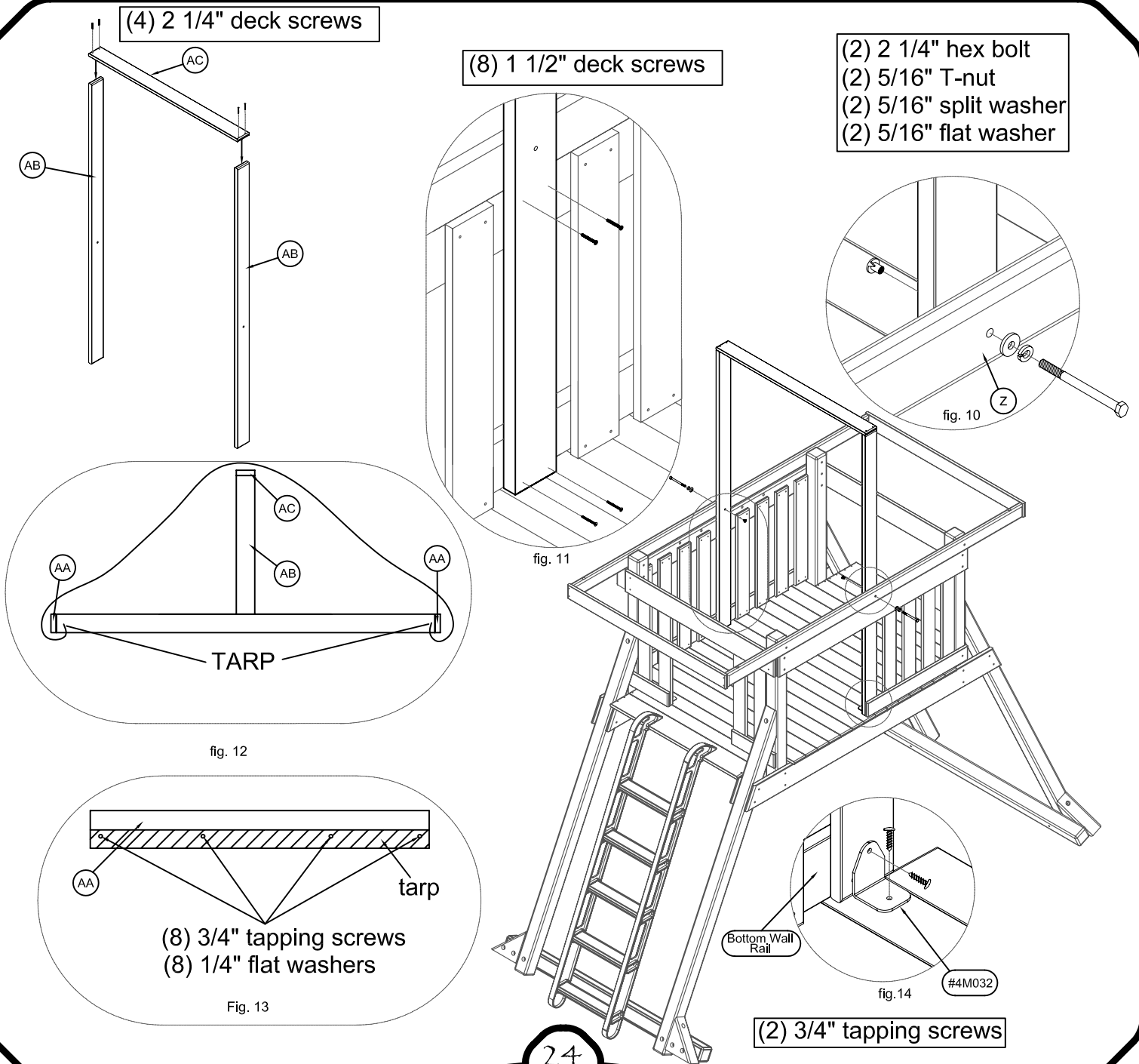
Secure AB with 2 1/4" hex bolt to Z and a t-nut as shown in fig. 10. Attach Tarp Top Frame to fort with 1 1/2" deck screws thru Tarp Upright AB and into wall rails shown.(see Fig. 11)

### Step 3: Attaching Tarp:

Place Tarp over Tarp Support AC Loop under Tarp End Caps AA and secure with 3/4" tapping screws and 1/4" flat washers as shown. (see Fig. 12 & Fig. 13)

### Step 4: Attaching L-bracket to Slide wall:

Attach (1) L-bracket to Tarp Upright AB on Slide wall and to floor as shown in Fig. 14. Only the Tarp Upright AB on the Slide wall will take an L-bracket.



# PHASE 10 ROCK WALL ASSEMBLY

## Gather Items:

- (1) H- 1x6x038 1/4 End Floor Board
- (1) O- 1x4x056 Rock Wall Brace
- (4) W- Rock Wall Panel Assembly 1x4x47 3/4
- (2) #6PCR6 Climbing Rocks 6 Count w/hdw

### Step 1: Installing H:

Take and place item H and rest it against inside items A. Next, slide it upward until it butts up against the previous H. Center item H and fasten using 2 1/4" deck screws.

### Step 2: Installation of Rock Wall Panels:

Empty contents of both #6PCR6, take the (12) 5/16" t-nuts and lightly hammer them into the Rock Wall Panels from behind (fig. 15). Take the 1st panel W and place it against items B, then slide it upward until it bumps with item H. Fasten it using (4) 2 1/4" deck screws as shown. Take the 2nd panel W and place it against items B, (Make sure the panel orientation is rotated 180°) then slide it up until it hits W1 and fasten it with (4) 2 1/4" deck screws. Continue the same process for W3 and W4.

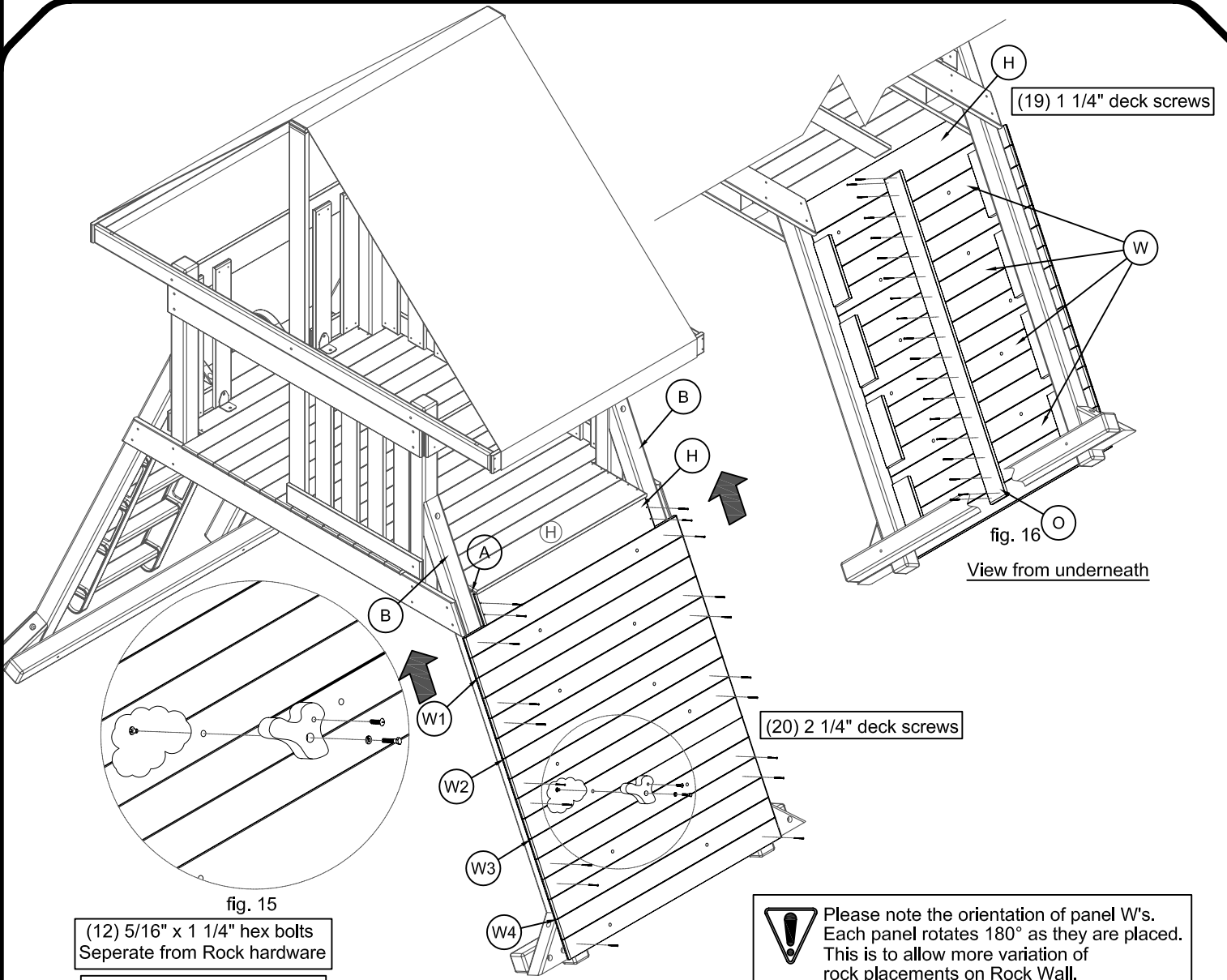
### Step 3: Installation of Rock Wall Brace:

Take item O and center it both ways on the rear side of Rock Wall. Fasten O using 1 1/4" deck screws. (fig. 16)

### Step 4 Installing Rocks:

Place Rocks on panels, with the grips facing up, and fasten using a 5/16" x 1 1/4" hex bolt and a #14 x 1" tapping screw. **\*\*NOTE\*\*** (12) 5/16" x 1 1/4" hex bolts are included in the fort hardware bag.

Disregard ONLY hex bolts included in Rock hardware bag.



(12) 5/16" x 1 1/4" hex bolts  
Separate from Rock hardware

(12) 5/16" split washers  
(12) 5/16" t-nuts  
(12) #14 x 1" tapping screws  
Included in Rock hardware

**!** Please note the orientation of panel W's. Each panel rotates 180° as they are placed. This is to allow more variation of rock placements on Rock Wall.

# PHASE 11 MONKEYBAR ASSEMBLY

## Gather items:

- (1) X-Explorer Series MB Top Ladder
- (1) Y-Explorer Series MB End Ladder
- (4) #4M089 End Beam Plate (Green)
- (4) #4M1027-05 Angled Brace (Green)
- (6) #6HASH Ductile Swing Hanger

### Step 1 Installing Top Ladder Rail Metal Strips:

Center Metal Strips on the outsides of X and fasten using #14 x 2" tapping screws.

### Step 2 Installing Ductile Swing Hangers:

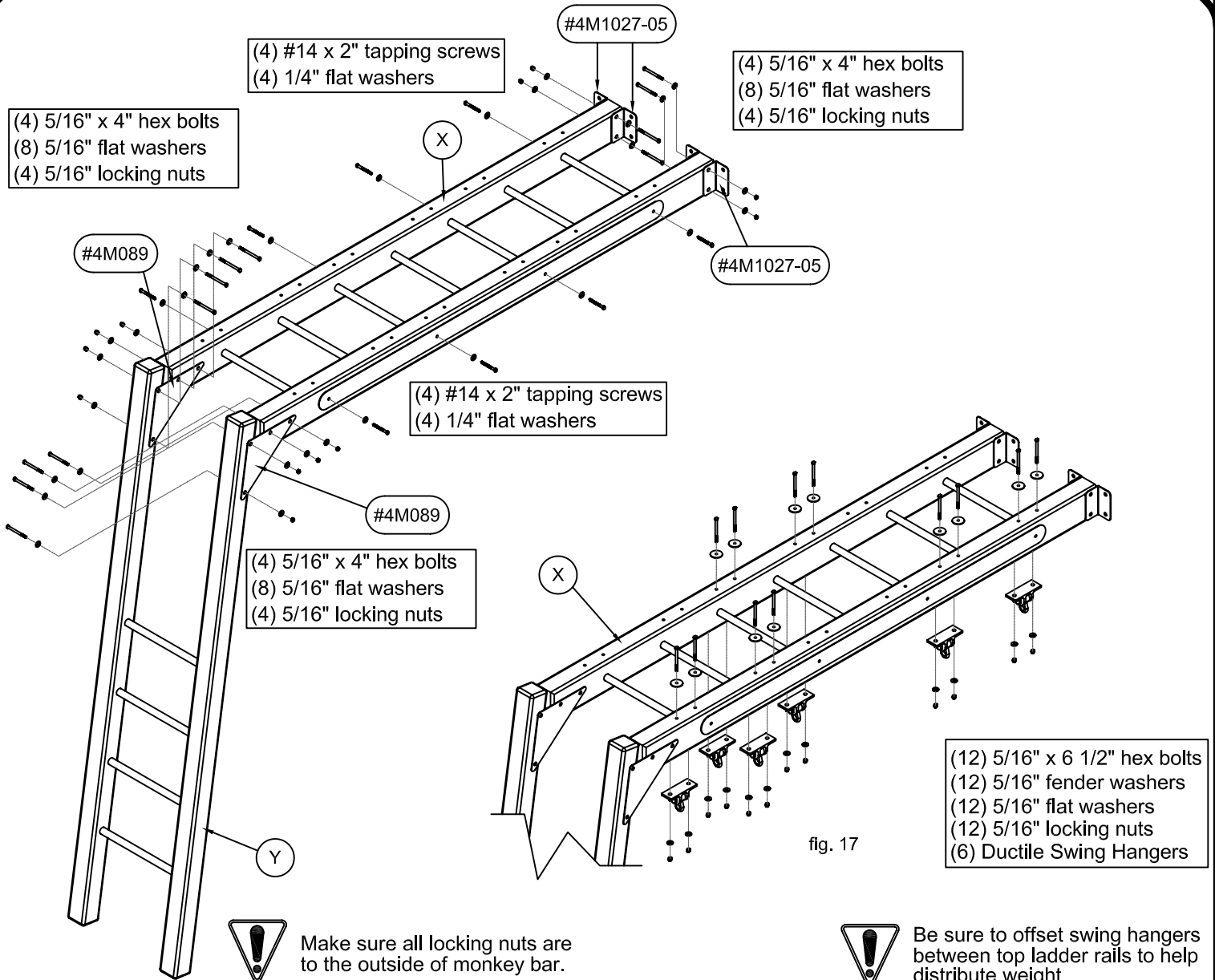
Place (6) Ductile Swing Hangers and fasten as shown in fig. 17.

### Step 3 Assembling Monkey Bar:

Take item #4M089 and place on the inside of X and Y, slide 5/16" x 4" hex bolts through. Take another #4M089 and slide over bolts on the outside of X and Y, then fasten. Repeat procedures for opposite side.

### Step 4 Installing Angled Braces:

Take item #4M1027-05 and place on the inside of X, slide 5/16" x 4" hex bolts through. Take another #4M1027-05 and slide over bolts on the outside of X, then fasten. Repeat procedures for opposite side.



# PHASE 12 MONKEY BAR ATTACHMENT

## Step 1: Installing Monkey Bar:

Insert (4) t-nuts in item M through inside of fort. Stand Monkey Bar Assembly and rest against item M. Now, center the top holes of #4M1027-05's to the pre-drilled holes on item M. Insert (4) 5/16" x 3 1/2" hex bolt through #4M1027-05's and M and fasten. Use #14 x 2 1/2" tapping screws to fasten in the remaining holes.

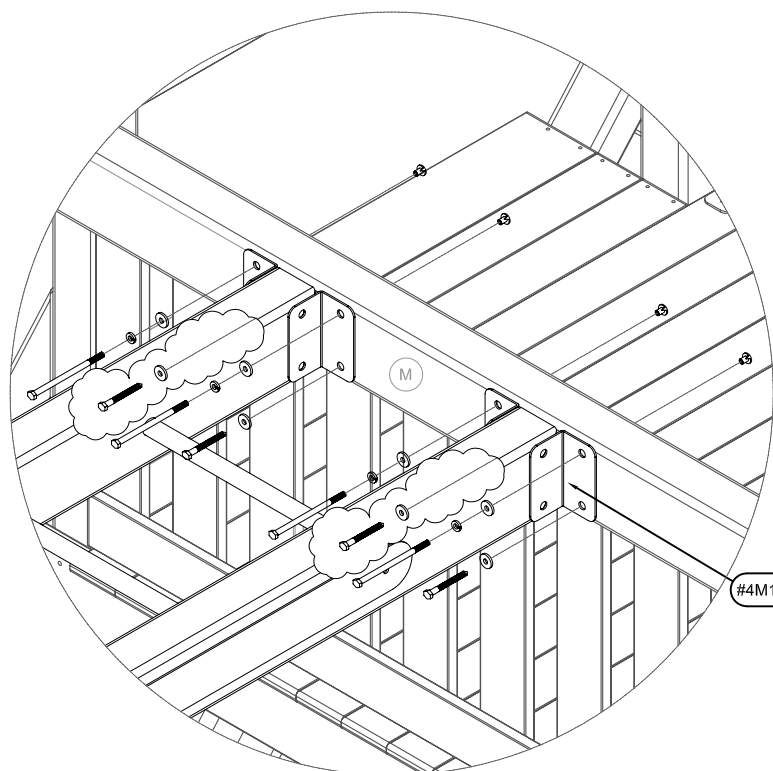
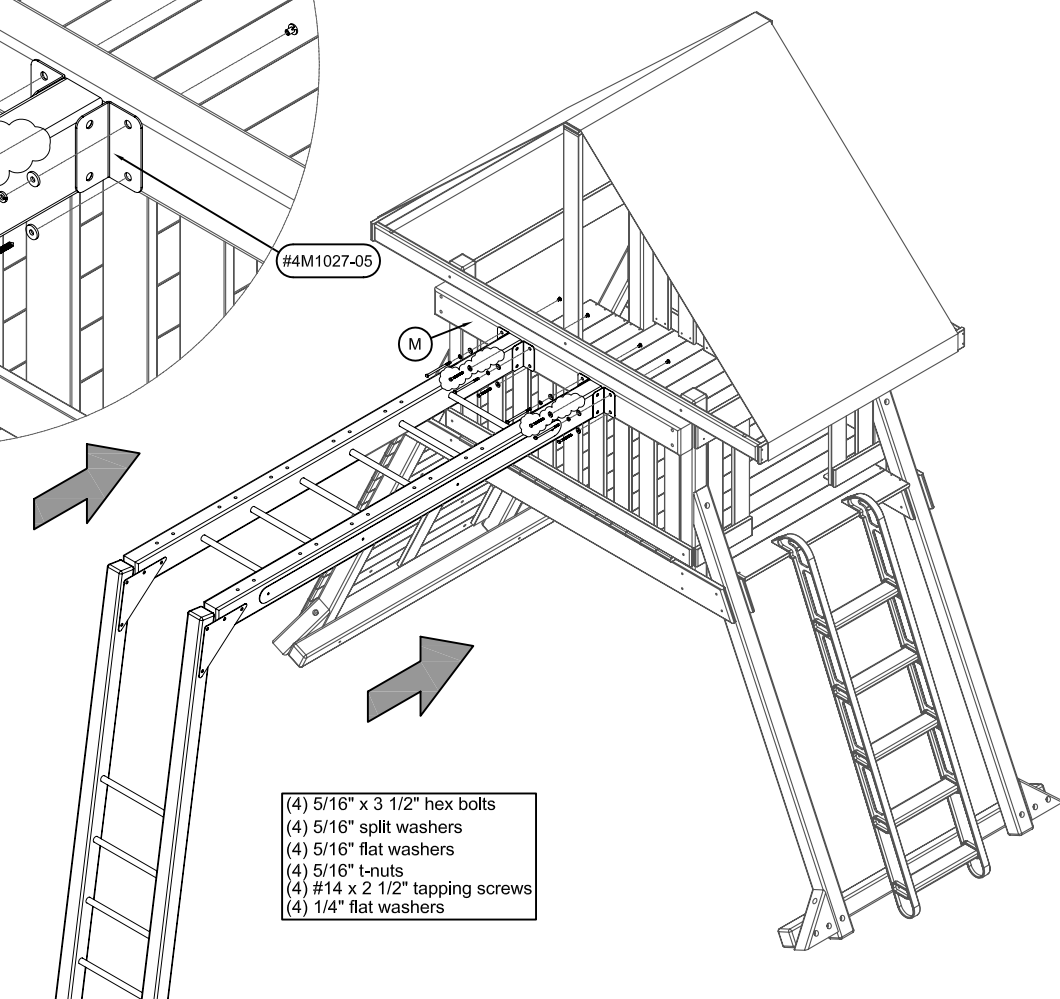


fig. 18



# PHASE 13 GROUND BEAM ATTACHMENT

## Gather items:

- (1) S-2x4x015 3/8 MB Base Board
- (2) T-5/4x6x066 1/2 MB Ground Beam
- (2) U-2x4x087 1/2 End Ladder Angle Brace

### Step 1 Installing Ground Beams:

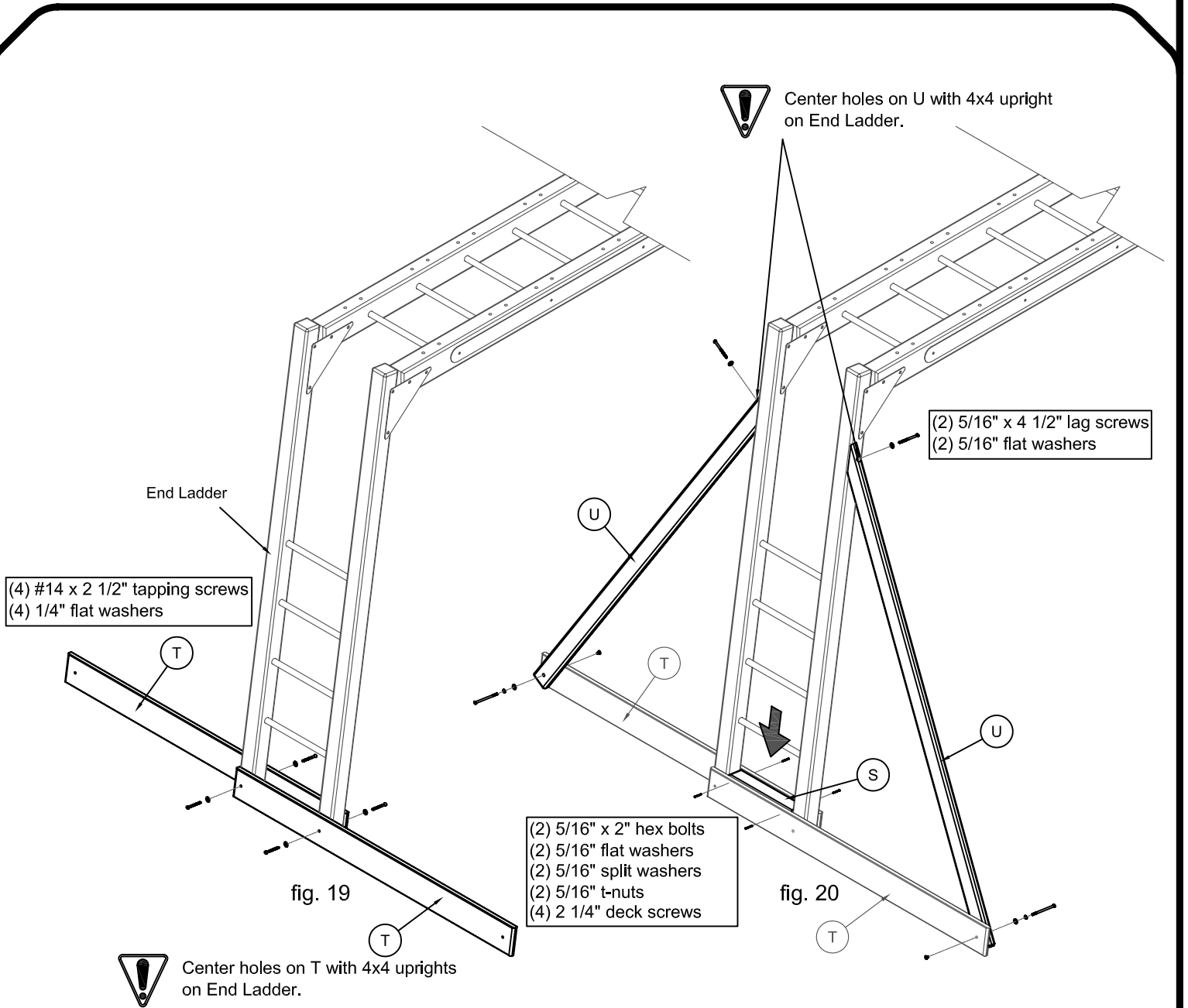
Place items T, one on each side as shown in fig. 19, against Monkey Bar End Ladder with bottoms of T flush with bottom of End Ladder and fasten using #14 x 2 1/2" tapping screw.

### Step 2 Installing End Ladder Angle Braces:

Hammer t-nuts, one on each side in items T. Fasten items U to items T, as shown in fig. 20 using 5/16" x 2" hex bolts. Center the top of U with 4x4 upright of End Ladder and fasten using 5/16" x 4 1/2" lag screws.

### Step 3 Installing End Ladder Base Board:

Take item S and place inside the gap created by items T. Make sure the top of S is flush with the tops of T. Fasten S using 2 1/4" deck screws.



# PHASE 14 TIRE SWING ATTACHMENT

## Gather items:

- (1) AD-4x4x02 1 Tire Swing Mounting Block
- (1) #6HTRS Tire Swivel
- (1) #6HSL Snap Link
- (3) #4MO22 30" Chain
- (3) #6H072 Quick Link
- (3) #6H052 Tire Eye Bolt
- (1) #6PTRE Tire

### Step 1: Transferring hole pattern

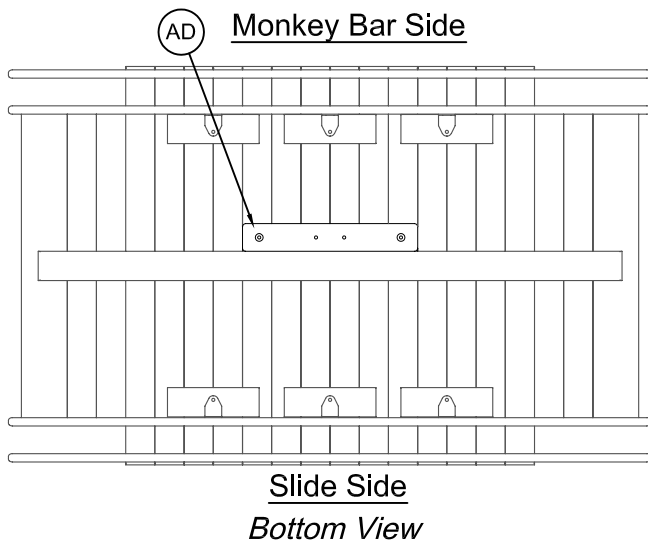
Place item AD against bottom of fort floor, flush with floor brace 1, and centered. Using the hole pattern in item AD, drill through the floor with  $\varnothing 3/8"$  drill bit.

### Step 2: Mounting items A and B

Take (2)  $5/16"$  x 4" carriage bolts and place them in the two outside holes through the inside of the fort and fasten item AD. Next, take (2)  $5/16"$  x 5" carriage bolts and place them in the two inside holes through the inside of the fort and fasten tire swivel.

### Step 3: Assembly and Installation of Tire Swing

Assemble Tire Swing as shown in fig. 21 and install it as shown in fig. 22.



- (2)  $5/16"$  x 4" carriage bolts
- (2)  $5/16"$  anti-turn washers
- (2)  $5/16"$  flat washers
- (2)  $5/16"$  split washers
- (2)  $5/16"$  locking nuts
- (2)  $5/16"$  acorn nuts

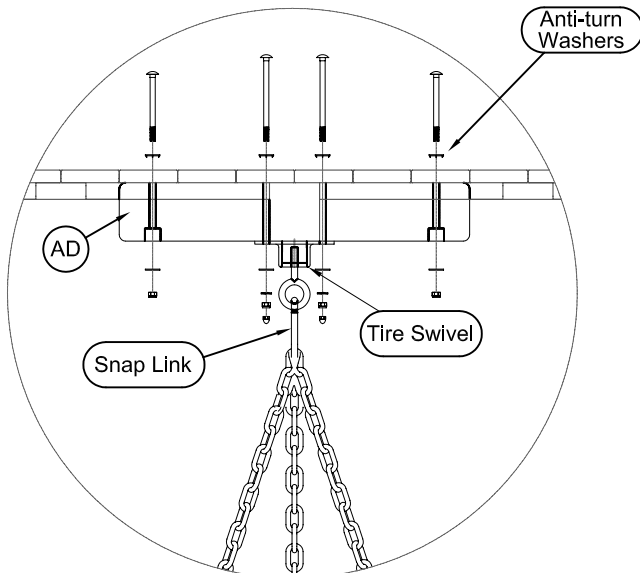
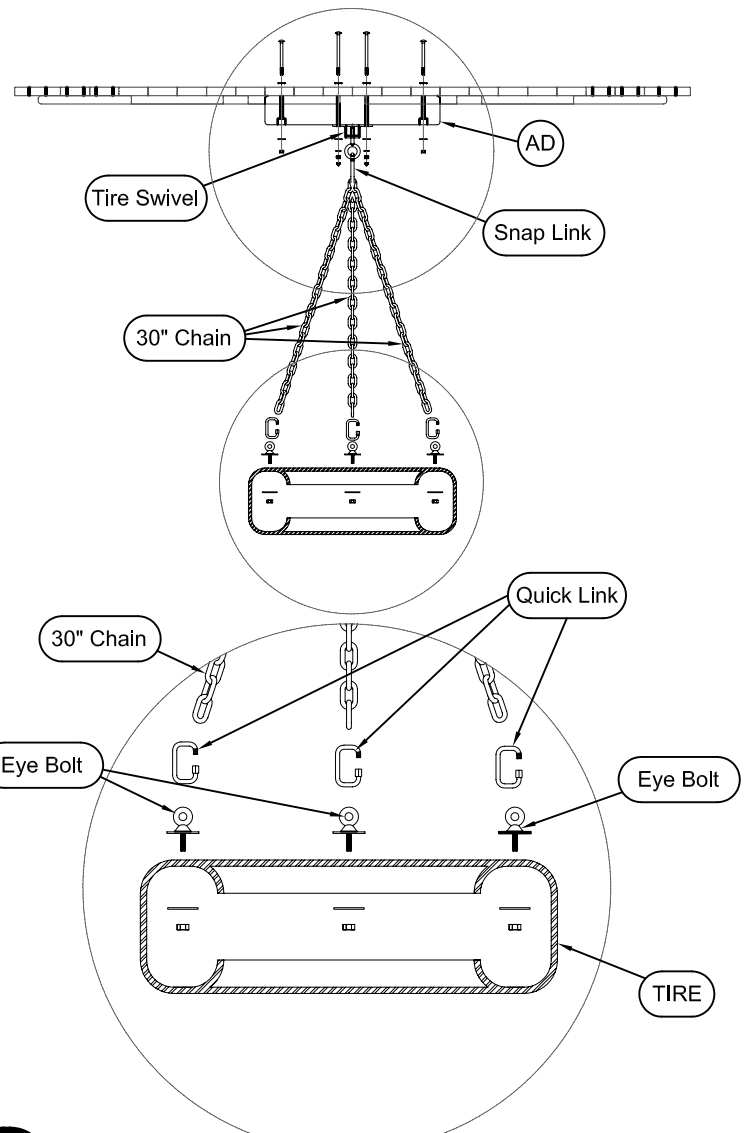


fig. 22

fig. 21

# PHASE 15 ACCESSORY ATTACHMENT

Gather items:

- (4) #6P028 Grab Handles
- (1) #6P071 Steering Wheel

Step 1 Installing Grab Handles:

Place items #6P028 centered on wall slats on both side of ladder opening wall. Drill a 5/16" hole through the recessed holes. Insert T-nuts in the holes through the back of wall slats. Attach grab handles using 1/4" x 1 1/4" machine truss screw, 1/4" split washer, and 1/4" flat washer through each of the drilled holes as shown in fig. 23.

Step 2 :

Place items #6P028 centered on items B and 7" from cut edge to the top hole of grab handles. Attach grab handles with 1 1/2" tapping screws and 1/4" flat washers as shown in fig. 24.

Step 4: Installing Steering Wheel:

Instal steering wheel as shown in fig. 25.

Step 5: Installing Flags:

Place Flags into holes on tarp cross braces as shown.

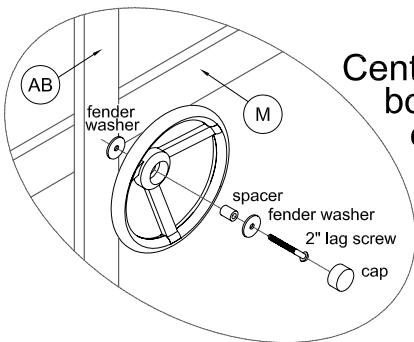


fig. 25

Center Steering wheel on intersection of board AB & board M. Place fender washer on backside, insert black spacer into center, and attach with 5/16" x 2" lag screw w/fender washer. Place cap firmly into end.

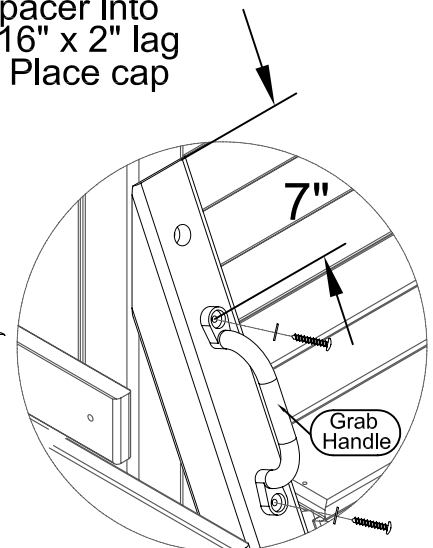


fig. 24

- (4) #14 x 1 1/2" tapping screws
- (4) 1/4" flat washers

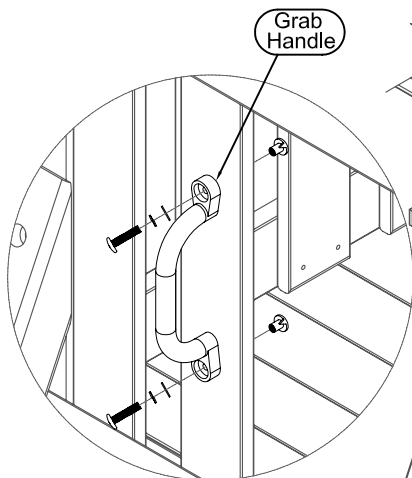
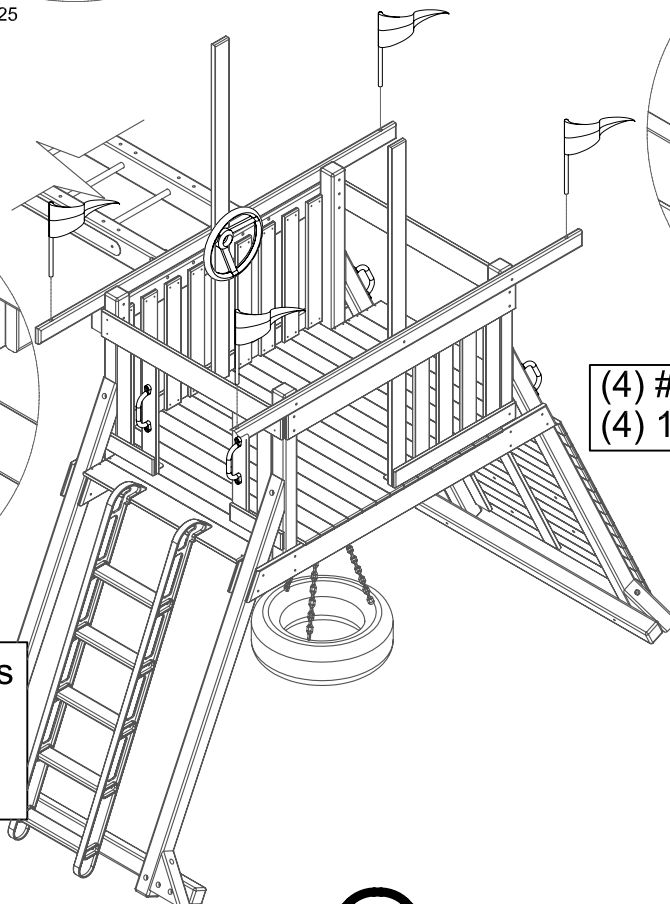


fig. 23

- (4) 1 1/4" truss screws
- (4) 1/4" split washers
- (4) 1/4" flat washers
- (4) 1/4" T-nuts





# PHASE 16 SWING ATTACHMENT

## Gather items:

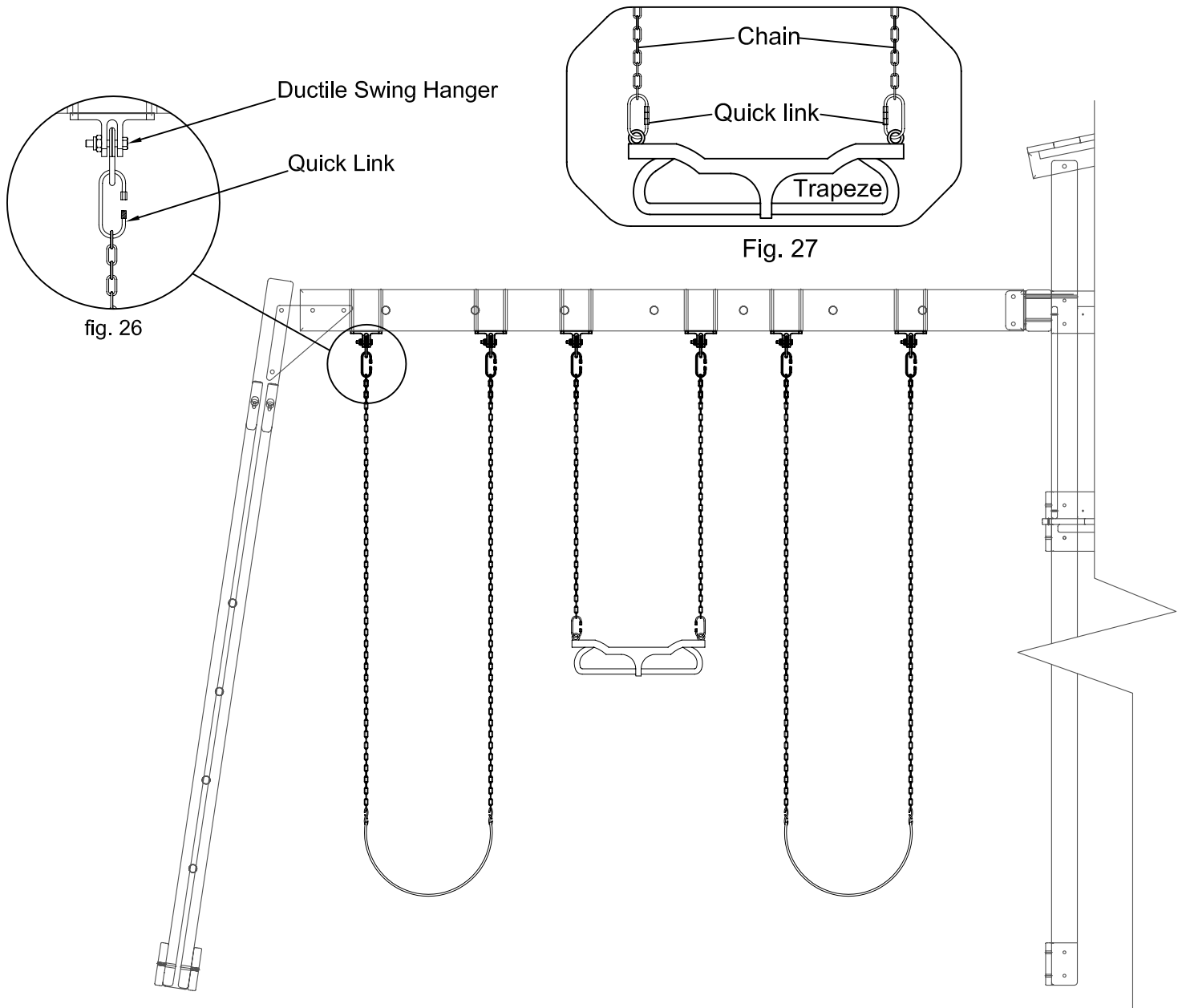
- (8) #6H072 Quick Links
- (2) #355G55 Swing Assemblies
- (2) #6M009 30" Chains
- (1) #6P053 Trapeze Bar

### Step 1: Hanging Swings:

Insert the last link of swing chain in Quick Link on both sides. Next, latch Quick Links onto Ductile Swing Hangers as shown.

### Step 2: Hanging Trapeze:

Insert the last link of 30" chain in quick link on both sides. Next, latch quick links on trapeze bar as shown. Latch remaining Quick Links on opposite side of trapeze bar then latch to Snap Links and Snap Link to Ductile Swing Hangers.



# PHASE 17 ANCHORING INSTRUCTIONS

Gather items:

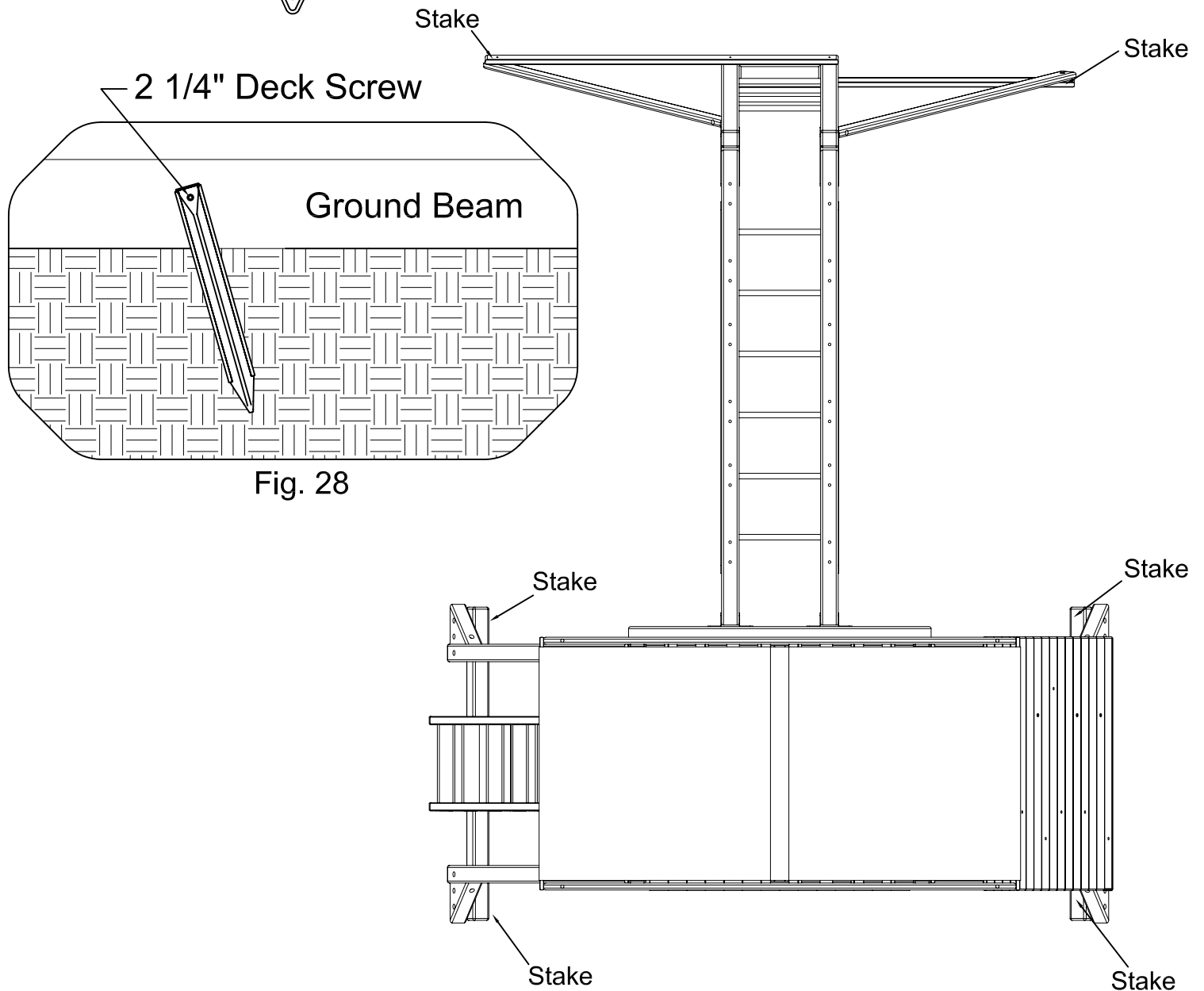
(6) #6P085 1 2" Plastic Stakes

## Step 1: Anchoring Playset:

Drive Stakes into ground where shown below and attach with 2 1/4" deck screw as shown in Fig.28.



Failure to use stakes can void warranty and cause injury.

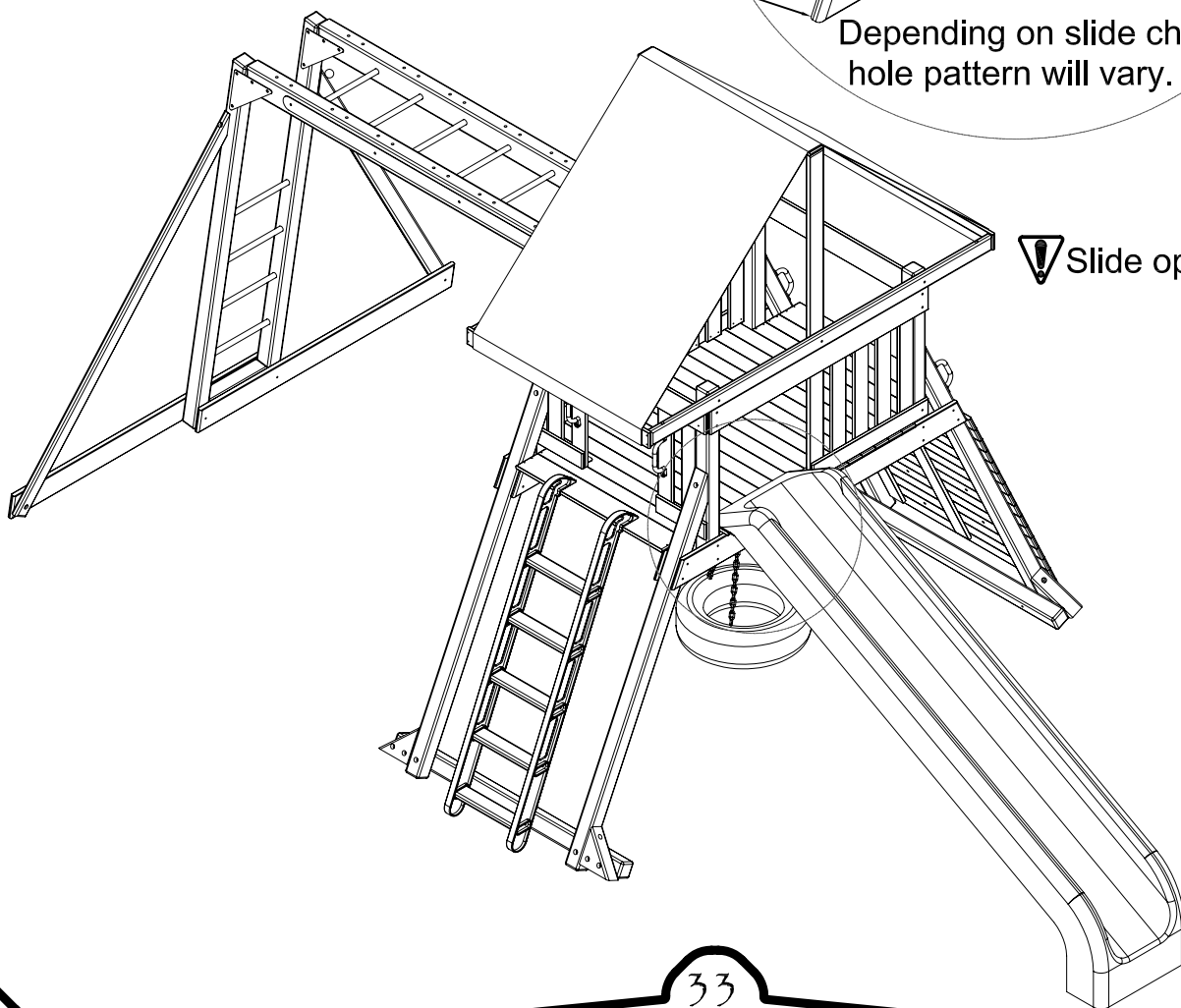
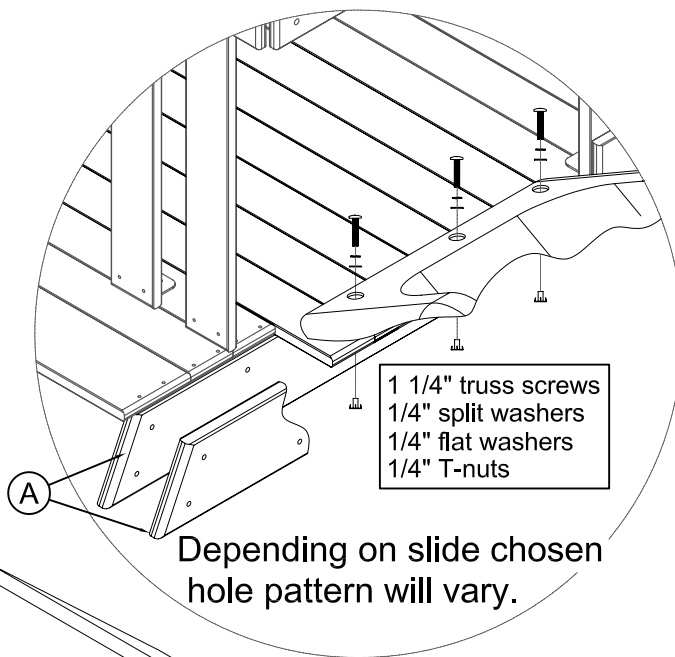


# PHASE 18 SLIDE ATTACHMENT

Gather items:  
(1) SLIDE  
SLIDES WILL VARY.

## Step 1: Slide Attachment:

Center slide in wall opening and on fort floor. Place holes on slide so they rest between the two floor joist A and are not over an opening between the floor boards. Drill a  $5/16$ " hole through the holes on top of the slide. Insert T-nuts in the holes through the bottom of the floor. Attach slide using a  $1/4$ "x $1/4$ " machine truss screw,  $1/4$ " split washer, and  $1/4$ " flat washer through each of the drilled holes as shown.



⚠ Slide option will vary.

# Frequently Asked Questions

Q: What size of play area do you recommend around the playset so my child may play safe??

A: We recommend at least a six-foot play perimeter around the playset.

Q: My swing set seems to sway or rock too much. What is wrong?

A: Rocking is caused by uneven ground or obstructions such as rocks, roots, etc. under the ground rails. These obstructions should be removed and the ground underneath leveled to prevent rocking. If the fort itself is moving, it is usually caused because the fort is not staked down. Staking is required and will stop most of the movement.

Q: The end ladder is not straight up and down. What is wrong?

A: Nothing is wrong. The end ladder does not form a 90° angle. It has an angle to it.

Q: The S-hooks for my swings won't close. What is wrong?

A: The S-hook must be on a solid foundation when trying to close. It takes quite a few strokes, but the S-hook will close.

Q: The top ladder does not have holes for the swing hanger lags. Why not?

A: The top ladder is probably installed upside-down.

Q: My wood appears to be cracking. Is that a problem?

A: No, expansion and contraction of wood due to weather changes will cause slight cracking (technically called checking) and distortion. These are natural characteristics of wood and do not affect the structural integrity of the playset.

Q: My 2x4 boards do not measure 2"x4". Why not?

A: It has been common practice in the U.S. to use the rough-cut dimension from a sawmill to describe the width and height of a particular piece of lumber. Many retailers, designers, contractors and manufacturers utilize this description with a common and accepted knowledge that the actual size will vary from this description. Our sets are designed using the actual dimension. This ensures the sets will be assembled properly and be safe for the recommended use.

Q: How often should I re-stain my playset and what should I use?

A: The playset should be checked at least once a year depending on the weather. Lightly sand any rough areas and re-stain the set with a waterborne transparent stain.





# Limited Warranty

Adventure Playsets Inc. insures to the original owner of our product, that the components of our set are free from defect in materials and will be warranted for one year from the date of purchase. In addition, all wooden components will be warranted against rot or insect damage for 12 Years to the original owner. All non-wood components will carry a one-year warranty only.

All defective parts that are discovered and reported in the first thirty days after purchase will be replaced at no charge to the registered customer. After thirty days of purchase shipping and handling charges for replacement warranty parts will be passed on to the consumer.

All returned goods will be accessed by our customer service department. We will not accept any goods without an authorization code. Our customer service department will give out all codes. Failure to supply authorization code with shipment will void all said warranty. Our customer service department can be reached at 1-800-856-4445.

## **This Limited Warranty does not cover the following:**

- ❑ The cost of labor required to re-install or disassemble the defective component.
- ❑ The cost of air freight
- ❑ The cost of freight after the initial 30 days from purchase.
- ❑ Cosmetic defects that do not affect the structural integrity of the play center.
- ❑ Any abnormal conditions such as vandalism, improper installation, misuse or abuse, or improper maintenance.
- ❑ Damage done by nature such as wind, lightning, severe weather, etc...
- ❑ Natural defects of wood such as warping checking or any other physical properties of wood that do not present a hazard.

Adventure Playsets products have been carefully designed to insure your child's safety. Any modifications to your playsystem could result in serious injury as well as void all warranties.

**Our playsets are designed for Residential use only, for children between the ages of 3 and 10, for a single-family dwelling. Commercial use such as nurseries, parks or schools, voids all warranties and liabilities.**

# Warranty claim procedure

If you are confident that your playsystem has been installed and maintained properly, and you have a warranty claim, proceed with the following steps:

1. We will need copy of your proof of purchase (Vendor sales receipt only.)
2. We require a brief written description of the warranty issue.
3. Photos of warranted parts and of the entire play system.

If **any** of the above steps are not completed, there may be delays in the completion of your claim, or possibly warranty cancellation.

Mail information to:

**Adventure Playsets  
14201 I-27  
Amarillo, Texas  
79119**

or email at

**custservice@adventureplaysets.com**

Our customer service department will review the claim and make contact with the customer by mail or by phone. The customer will only pay for shipping and handling to and from factory if warranty is approved.

**1-800-856-4445**

Service department hours Monday thru Friday 9am to 5pm

Saturday 9am to 2pm

Central standard time



# Customer Registration Card

Name: \_\_\_\_\_

Address: \_\_\_\_\_

City: \_\_\_\_\_ State: \_\_\_\_\_ Zip: \_\_\_\_\_

Home Phone: \_\_\_\_\_

Date of Purchase: \_\_\_\_\_ Date Stamped on Box: \_\_\_\_\_

Vendor Name: \_\_\_\_\_

City: \_\_\_\_\_ State: \_\_\_\_\_ Zip: \_\_\_\_\_

Unit Model: 1-AP019-06 Unit Name: The Cascade - 2006

Please check the boxes below:

How old are you?

18-30       31-43       44-56       Older than 56

How would you rate the quality of our product?

Above Average       Average       Fair       Poor

How would you rate the ease of assembly of our product?

Above Average       Average       Fair       Poor

How would you rate our instructions?

Above Average       Average       Fair       Poor

Would you recommend our product to friends & family?

Yes       No

How old are your children?

3-4       5-6       7-8       9-10

Where did you hear about us?

Friend       Store Display       Advertisement       Internet

Comments: \_\_\_\_\_

\_\_\_\_\_  
\_\_\_\_\_  
\_\_\_\_\_  
\_\_\_\_\_



# Customer Registration Card

**Do not forget to send in your registration card to the factory.  
This card will validate your time of purchase for warranty items.**

Fold here

---

**Place  
stamp  
here**

**Adventure Playsets  
14201 I-27  
Amarillo Texas, 79119**

**THIS IS YOUR UK WARRANTY CARD - PLEASE RETAIN THIS PART**

YOU WILL NEED TO QUOTE THE DETAILS BELOW TO OBTAIN PARTS UNDER WARRANTY

THE CASCADE  
1-AP019-06

Purchased from: ..... Date:.....



Plum Products Ltd:

Helpline for Parts and Enquiries: 08700 170 580 (UK)

✂.....

**TO VALIDATE UK WARRANTY - PLEASE RETURN THIS PART**

PLEASE RETURN THIS HALF WITH A  
COPY OF YOUR SALES RECEIPT TO:

PLUM PRODUCTS DISTRIBUTION CENTRE  
DEPT REG  
INGHAM  
LINCS  
LN1 2YQ

CUSTOMER DETAILS:

Name:.....

Address .....

.....

Postcode:.....

Purchased from:.....

Purchase Date:.....

THE CASCADE  
1-AP019-06